



POP[®] Blind rivets

From simple to complex

The center of excellence for high-performance fastening technology

KVT-Fastening is an expert for high-quality fastening applications and offers engineering solutions based on the wide product portfolio of the leading manufacturers in the market.



Mechanical engineering | Automotive | Electrical engineering | Energy | Precision engineering | Fluid power | Transportation | Off-shore and Marine | Medical equipment
Aviation and aerospace | Construction industry | Watch manufacturing industry

www.kvt-fastening.com



High-performance solutions from KVT-Fastening are found wherever absolutely safe and secure connections are essential. These small but extremely resilient components play key roles where it matters most – whether in the electronics and energy sector, the automotive and transportation industries, aviation and aerospace, engineering and construction, precision engineering, or medical equipment.

KVT-Fastening does not just supply standard products and individual components, but also provides close and active customer support in the search for ideal solutions, particularly when specific requirements must be fulfilled. This portfolio is complemented by a range of innovative tools and

machines as well as, if needed, the integration into automated serial production workflows.

Ever since 1927, KVT-Fastening has stood for experience, solution-driven know-how, unique expertise in development and consultancy as well as the ultimate in reliability. Since December 2012, KVT-Fastening is a member of the Bossard Group. Bossard is a leading provider of intelligent solutions for industrial fastening technology. The range includes global sales, technical consulting (engineering) and logistics of fastening technology components and bolts. Customers benefit from the extension of competencies in industrial fastening technology and from an optimally enhanced product or service portfolio.



Multifunctional applicable – everytime perfect

POP® rivets connect reliable two parts independent to the materials. Whether steel, plastics or other materials with different strengths and material thicknesses, the rivets take care of save hold. Even bigger components can be durable connected free from distortion and without surface damage. The danger of corrosion is with this method barred.

POP® rivets can be setted manual oder automatically, the amount of the components affects the choice of the tool. From the pneumatic tool to the rivet setting system with automatic receptical, we have a wide range of tools. Important therefore are the component geometrys, the assembly area and a possible integration in the existing manufacturing process.

POP® rivets have for special requirements a big range of several types:

- **Closed end rivets** are used for absolutely water tight applications.
- **High strength F-Grip rivets** offers a wide grip range, high pull-up capability and hole filling with extremely shear/tensile performance.
- **MGR multigrip rivets** can be used in fluctuating material thicknesses or irregular hole sizes
- **Tag rivets** in copper have pre-assembled tags



Content



| | | |
|--|---|--|
| 8–22 | Standard break stem rivets General purpose blind rivet. Available in wide range of materials and head styles. | |
| 23 | Micro-blind rivets Available from diameter 2 mm. | |
| 24–32 | Closed end rivets, closed design This rivet is ideal for applications that need to be water tight or where mandrel retention is paramount. | |
| 33–34 | High-strength F-Grip rivets Large grip range, provides excellent hole fill even in irregular holes, high shear and tensile performance, the mandrel brakes above the shear level. | |
| Blind rivets for special requirements | | |
| 35–36 | Load-spreading rivets Special rivet for use in vulnerable, friable and the softest of materials. Version: aluminum / aluminum | |
| 37 | Terminal-tag rivets Copper-rivet with preassembled tags. | |
| 38–41 | MGR multigrip rivets For use with fluctuating material thicknesses or in irregular holes. | |
| 42 | Grooved blind rivets This type fixes with the grooves into wood and other soft/fibrous base materials. Also suitable for use in blind non-through holes. | |
| 43–44 | Peel-rivets Ideal for joining softer and more brittle materials such as plastics, rubber, wood or laminate. | |
| 45 | Flush-setting rivets A special rivet developed for electronic applications. It is possible to set the rivet flush on both sides of the application. | |
| 46–49 | High-retention rivets High retention rivet with a increased blind side expansion, mandrel retention and rattle resistance after setting. | |
| 50–53 | Vgrip™-rivets A new high performance multigrip rivet with excellent claim properties and wide blind side expansion. | |
| 54–55 | High-strength rivets High shear and tensile strength, a positively retained stem and a large secondary expansion. | |
| 56–66 | Tools | |
| 67–68 | Technical informations | |

Technical performances, installation recommendations as well as unspecified tolerances regarding the dimensions of the parts have to be requested individual for each application before starting the series production. All dimensions are specified in mm.

Blind rivets overview

| Blind rivet series | Rivet body material | Mandrel material | | | | Head shape |
|----------------------------------|---------------------|------------------|-------|-----------------|------------------|--------------------|
| | | Aluminum | Steel | Stainless steel | Bronze | |
| Standard break stem blind rivets | Aluminum | • | | | | Domed head |
| | | • | | | | Large flange |
| | | | • | ○ | | Large flange |
| | | | • | ○ | | Domed head |
| | | | • | ○ | | Countersunk 120° |
| | Steel | | | • | | Countersunk 120° |
| | | | | • | | Domed head |
| | Stainless steel | | | | • | Domed head |
| | | | | | ○ | Countersunk 120° |
| | Nickel/Copper | | | • | • | Domed head |
| | | | • | • | Large flange | |
| | | | • | • | Countersunk 120° | |
| Micro-blind rivets | Aluminum | • | | | | Domed head |
| | | | • | | | Domed head |
| Closed-end rivets, closed design | Aluminum | • | | ○ | | Domed head |
| | | | • | • | | Domed head |
| | | | | ○ | | Large flange |
| | | | | • | ○ | Countersunk 120° |
| | Steel | | • | | | Domed head |
| | Stainless steel | | | | • | Domed head |
| | | | | | • | Large closing head |
| | Copper | | • | ○ | | Domed head |
| Nickel/Copper | | • | ○ | | Domed head | |
| High-strength F-Grip rivets | Aluminum | | • | | | Domed head |
| | Steel | | • | | | Domed head |
| Load-spreading rivets | Aluminum | • | | | | Domed head |
| | | • | | | | Large flange |
| Terminal-tag rivets | Copper | | • | | | Special design |
| MGR multigrip rivets | Aluminum | | • | • | | Domed head |
| | | | | ○ | ○ | Large flange |
| | Steel | | ○ | | | Domed head |
| Grooved blind rivets | Aluminum | | | ○ | | Large flange |
| | | | | ○ | | Domed head |
| Peel rivets | Aluminum | | • | | | Domed head |
| | | | • | | | Large flange |
| Flush-setting rivets | Steel | | • | | | Countersunk 120° |
| High-retention rivets | Steel | | • | | | Domed head |
| | | | • | | | Large flange |
| | Stainless steel | | | • | | Domed head |
| Vgrip™-rivets | Aluminum | | | • | | Countersunk 120° |
| | | | | • | | Domed head |
| | Steel | | • | | | Domed head |
| | | | • | | | Large flange |
| High-strength rivets | Steel | | • | | | Domed head |
| | Aluminum | • | | | | Domed head |

| Rivet diameters overview | | | | | | | | | | | | | | Page |
|--------------------------|-----|-----|-----|-----|-----|-----|-----|-----|-----|-----|-----|-----|---------|------|
| 2.0 | 2.4 | 2.5 | 2.8 | 3.0 | 3.2 | 3.3 | 4.0 | 4.1 | 4.8 | 5.0 | 6.0 | 6.4 | | |
| | | | | | • | | • | | • | | | | 8 – 9 | |
| | | | | | • | | • | | • | | | | 10 | |
| | | | | | • | | • | | • | | | | 11 | |
| | • | | | • | • | | • | | • | • | • | • | 12 – 13 | |
| | • | | | | • | | • | | • | | | | 14 | |
| | • | | | | • | | • | | • | | | | 15 | |
| | | | • | • | • | | • | | • | • | • | • | 16 – 17 | |
| | | | | | • | | • | | • | | | | 18 | |
| | | | | | • | | • | | • | | | | 19 | |
| | | | • | | • | | • | | • | | | • | 20 | |
| | | | | | | | | | • | | | | 21 | |
| | | | • | | • | | • | | • | | | • | 22 | |
| | | • | | • | | | | | | | | | 23 | |
| • | | | | | | | | | | | | | 23 | |
| | | | | | • | | • | | • | | | | 24 | |
| | | | | | • | | • | | • | | | • | 25 | |
| | | | | | • | | • | | • | | | | 26 | |
| | | | | | • | | • | | • | | | | 27 | |
| | | | | | • | | • | | • | | | | 28 | |
| | | | | | • | | • | | • | | | • | 29 | |
| | | | | | | | • | | • | | | | 30 | |
| | | | | | • | | • | | • | | | | 31 | |
| | | | | | • | | • | | • | | | | 32 | |
| | | | | | ◦ | | ◦ | | • | | | | 33 | |
| | | | | | ◦ | | ◦ | | • | | | | 34 | |
| | | | | | • | | • | | • | | | | 35 | |
| | | | | | | | | | • | | | | 36 | |
| | | | | | | | • | | | | | | 37 | |
| | | | | | • | | • | | • | | | • | 38 | |
| | | | | | • | | • | | • | | | | 39 | |
| | | | | | • | | • | | • | | | | 40 | |
| | | | | | • | | • | | • | | | | 41 | |
| | | | | | | • | | • | | • | | | 42 | |
| | | | | | • | | • | | • | | | | 43 | |
| | | | | | | | | | • | | | | 44 | |
| | | | | • | | | | | | | | | 45 | |
| | | | | | • | | • | | • | | • | | 46 | |
| | | | | | | | | | • | | • | | 47 | |
| | | | | | • | | • | | • | | | | 48 | |
| | | | | | • | | • | | • | | | | 49 | |
| | | | | | | | • | | • | | | | 50 | |
| | | | | | | | | | • | | | | 51 | |
| | | | | | | | • | | • | | | | 52 | |
| | | | | | | | | | • | | | | 53 | |
| | | | | | | | | | | | | • | 54 | |
| | | | | | | | | | | | | • | 55 | |

• included in the product range ◦ on request

Standard break stem blind rivets

Domed head

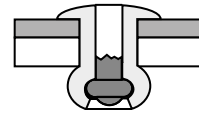


Material




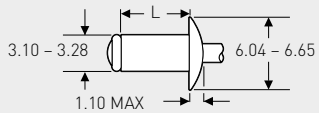
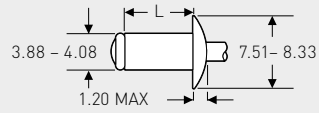
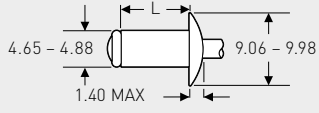
Body: Aluminum, 2.5% Magnesium

Mandrel: Aluminum

Rivets with countersunk on request



3-D Data: <http://kvt.partcommunity.com>

| Rivet-Ø | Length nominal | Grip range | Order description | Hole size Ø | |  |  |  |
|---------|----------------|----------------------------|----------------------------|----------------|--|--|--|--|
| 3.2 | 4.8 | - 1.6 | AD 41 ABS | 3.3 |  | 1040 | 680 | 1.93 |
| | 6.5 | 1.6 - 3.2 | AD 42 ABS | | | | | |
| | 8.0 | 3.2 - 4.8 | AD 43 ABS | | | | | |
| | 9.5 | 4.8 - 6.4 | AD 44 ABS | | | | | |
| | 11.1 | 6.4 - 7.9 | AD 45 ABS | | | | | |
| | 12.7 | 7.9 - 9.5 | AD 46 ABS | | | | | |
| | 15.9 | 9.5 - 12.7 | AD 48 ABS | | | | | |
| 4.0 | 19.0 | 12.7 - 15.9 | AD 410 ABS | 4.1 |  | 1550 | 1000 | 2.41 |
| | 7.0 | - 3.2 | AD 52 ABS | | | | | |
| | 8.5 | 3.2 - 4.8 | AD 53 ABS | | | | | |
| | 10.2 | 4.8 - 6.4 | AD 54 ABS | | | | | |
| | 13.3 | 6.4 - 9.5 | AD 56 ABS | | | | | |
| 4.8 | 16.5 | 9.5 - 12.7 | AD 58 ABS | 4.9 |  | 2220 | 1400 | 2.90 |
| | 7.6 | - 3.2 | AD 62 ABS | | | | | |
| | 10.8 | 3.2 - 6.4 | AD 64 ABS | | | | | |
| | 14.0 | 6.4 - 9.5 | AD 66 ABS | | | | | |
| | 17.2 | 9.5 - 12.7 | AD 68 ABS | | | | | |
| | 20.3 | 12.7 - 15.9 | AD 610 ABS | | | | | |
| | 23.5 | 15.9 - 19.1 | AD 612 ABS | | | | | |
| 29.8 | 19.1 - 25.4 | AD 616 ABS | | | | | | |

Standard break stem blind rivets

Domed head

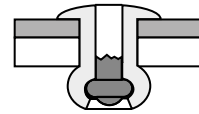


Material




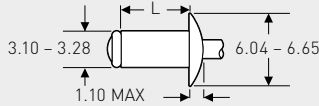
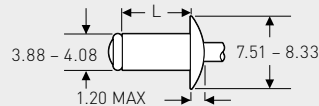
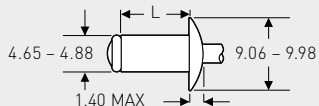
Body: Aluminum 99.5%

Mandrel: Aluminum

Availability on request



3-D Data: <http://kvt.partcommunity.com>

| Rivet-Ø | Length nominal | Grip range | Order description | Hole size Ø | |  |  |  |
|---------|----------------|------------|-------------------|----------------|--|--|--|--|
| | | | | | | N | N | |
| 3.2 | 4.8 | - 1.6 | PAD 41 ABS | 3.3 |  | 370 | 280 | 1.93 |
| | 6.5 | 1.6 - 3.2 | PAD 42 ABS | | | | | |
| | 8.0 | 3.2 - 4.8 | PAD 43 ABS | | | | | |
| | 9.5 | 4.8 - 6.4 | PAD 44 ABS | | | | | |
| | 12.7 | 6.4 - 9.5 | PAD 46 ABS | | | | | |
| | 15.9 | 9.5 - 12.7 | PAD 48 ABS | | | | | |
| 4.0 | 10.2 | 3.2 - 6.4 | PAD 54 ABS | 4.1 |  | 640 | 460 | 2.41 |
| 4.8 | 10.8 | 3.2 - 6.4 | PAD 64 ABS | 4.9 |  | 910 | 640 | 2.90 |
| | 14.0 | 6.4 - 9.5 | PAD 66 ABS | | | | | |

Standard break stem blind rivets

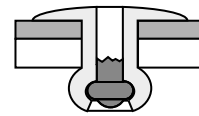
Large flange






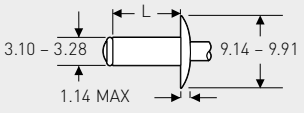
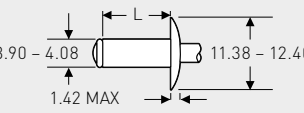
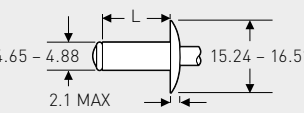
Material

Body: Aluminum, 2.5% magnesium

Mandrel: Aluminum



3-D Data: <http://kvt.partcommunity.com>

| Rivet-Ø | Length nominal | Grip range | Order description | Hole size Ø | |  |  |  |
|---------|----------------|-------------|-------------------|-------------|--|--|--|--|
| 3.2 | 6.5 | - 3.2 | AD 42 ABSLF | 3.3 |  | 1040 | 680 | 1.93 |
| | 9.5 | 3.2 - 6.4 | AD 44 ABSLF | | | | | |
| 4.0 | 10.2 | 3.2 - 6.4 | AD 54 ABSLF | 4.1 |  | 1550 | 1000 | 2.41 |
| 4.8 | 10.8 | 3.2 - 6.4 | AD 64 ABSLF | 4.9 |  | 2200 | 1400 | 2.90 |
| | 14.0 | 6.4 - 9.5 | AD 66 ABSLF | | | | | |
| | 17.2 | 9.5 - 12.7 | AD 68 ABSLF | | | | | |
| | 20.3 | 12.7 - 15.9 | AD 610 ABSLF | | | | | |
| | 23.5 | 15.9 - 19.1 | AD 612 ABSLF | | | | | |

Standard break stem blind rivets

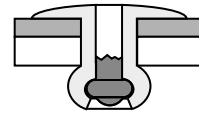
Large flange






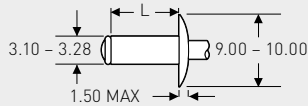
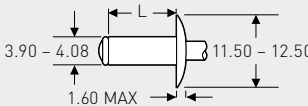
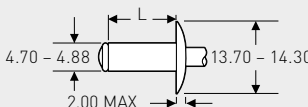
Material

Body: Aluminum, 3.5% magnesium

Mandrel: Steel galvanized



3-D Data: <http://kvt.partcommunity.com>

| Rivet-Ø | Length nominal | Grip range | Order description | Hole size Ø | |  |  |  |
|---------|----------------|---------------------------------|----------------------------------|----------------|--|--|--|--|
| | | | | | | N | N | |
| 3.2 | 6.2 | - 3.2 | TAPD 44 BSLF9,5 | 3.3 |  | 1200 | 800 | 1.83 |
| | 8.0 | 3.2 - 4.8 | TAPD 46 BSLF9,5 | | | | | |
| | 9.7 | 4.8 - 6.4 | TAPD 48 BSLF9,5 | | | | | |
| | 11.5 | 6.4 - 7.9 | TAPD 410 BSLF9,5 | | | | | |
| | 13.5 | 7.9 - 9.5 | TAPD 412 BSLF9,5 | | | | | |
| | 17.0 | 9.5 - 12.7 | TAPD 416 BSLF9,5 | | | | | |
| 4.0 | 8.5 | - 4.8 | TAPD 56 BSLF12 | 4.1 |  | 1910 | 1330 | 2.29 |
| | 10.5 | 4.8 - 6.4 | TAPD 58 BSLF12 | | | | | |
| | 12.2 | 6.4 - 7.9 | TAPD 510 BSLF12 | | | | | |
| | 14.0 | 7.9 - 9.5 | TAPD 512 BSLF12 | | | | | |
| | 15.7 | 9.5 - 11.1 | TAPD 514 BSLF12 | | | | | |
| | 17.5 | 11.1 - 12.7 | TAPD 516 BSLF12 | | | | | |
| 4.8 | 9.2 | - 4.8 | TAPD 66 BSLF14 | 4.9 |  | 2800 | 2020 | 2.64 |
| | 11.0 | 4.8 - 6.4 | TAPD 68 BSLF14 | | | | | |
| | 12.7 | 6.4 - 7.9 | TAPD 610 BSLF14 | | | | | |
| | 14.5 | 7.9 - 9.5 | TAPD 612 BSLF14 | | | | | |
| | 16.5 | 9.5 - 11.1 | TAPD 614 BSLF14 | | | | | |
| | 19.0 | 11.1 - 13.5 | TAPD 617 BSLF14 | | | | | |
| 25.5 | 13.5 - 19.8 | TAPD 625 BSLF14 | | | | | | |

Standard break stem blind rivets

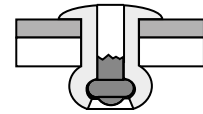
Domed head






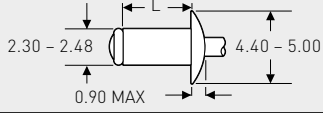
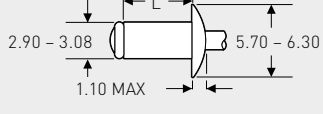
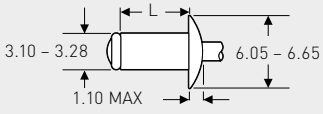
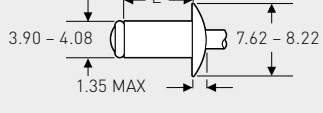
Material

Body: Aluminum, 3.5% magnesium

Mandrel: Steel galvanized



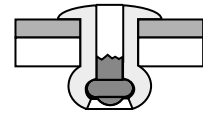
3-D Data: <http://kvt.partcommunity.com>

| Rivet-Ø | Length nominal | Grip range | Order description | Hole size Ø | |  |  |  |
|---------|----------------|-------------|-------------------|-------------|--|---|---|---|
| 2.4 | 3.5 | - 0.8 | TAPD 31 BS | 2.5 |  | 500 | 400 | 1.42 |
| | 5.0 | 0.8 - 2.4 | TAPD 33 BS | | | | | |
| | 7.5 | 2.4 - 4.8 | TAPD 36 BS | | | | | |
| 3.0 | 5.0 | - 2.0 | SNAD 3050 BS | 3.1 |  | 1000 | 800 | 1.83 |
| | 6.5 | 2.0 - 3.5 | SNAD 3065 BS | | | | | |
| | 8.0 | 3.5 - 5.0 | SNAD 3080 BS | | | | | |
| | 10.0 | 5.0 - 7.0 | SNAD 3100 BS | | | | | |
| | 12.0 | 7.0 - 9.0 | SNAD 3120 BS | | | | | |
| 3.2 | 15.0 | 9.0 - 12.0 | SNAD 3150 BS | 3.3 |  | 1200 | 800 | 1.83 |
| | 4.5 | - 1.6 | TAPD 42 BS | | | | | |
| | 6.0 | 1.6 - 3.2 | TAPD 44 BS | | | | | |
| | 8.0 | 3.2 - 4.8 | TAPD 46 BS | | | | | |
| | 9.7 | 4.8 - 6.4 | TAPD 48 BS | | | | | |
| | 11.5 | 6.4 - 7.9 | TAPD 410 BS | | | | | |
| | 13.5 | 7.9 - 9.5 | TAPD 412 BS | | | | | |
| | 15.0 | 9.5 - 11.1 | TAPD 414 BS | | | | | |
| | 17.0 | 11.1 - 12.7 | TAPD 416 BS | | | | | |
| | 18.5 | 12.7 - 14.3 | TAPD 418 BS | | | | | |
| 4.0 | 20.0 | 14.3 - 16.7 | TAPD 421 BS | 4.1 |  | 1910 | 1330 | 2.29 |
| | 24.0 | 16.7 - 20.7 | TAPD 425 BS | | | | | |
| | 7.0 | - 3.2 | TAPD 54 BS | | | | | |
| | 8.5 | 3.2 - 4.8 | TAPD 56 BS | | | | | |
| | 10.5 | 4.8 - 6.4 | TAPD 58 BS | | | | | |
| | 12.2 | 6.4 - 7.9 | TAPD 510 BS | | | | | |
| | 14.0 | 7.9 - 9.5 | TAPD 512 BS | | | | | |
| | 15.7 | 9.5 - 11.1 | TAPD 514 BS | | | | | |
| | 17.5 | 11.1 - 12.7 | TAPD 516 BS | | | | | |
| | 18.5 | 12.7 - 13.5 | TAPD 517 BS | | | | | |
| | 20.2 | 13.5 - 15.9 | TAPD 520 BS | | | | | |
| | 22.5 | 15.9 - 17.4 | TAPD 522 BS | | | | | |
| 24.7 | 17.4 - 19.8 | TAPD 525 BS | | | | | | |




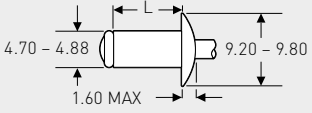
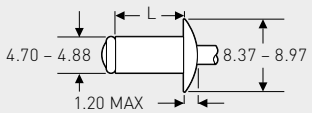
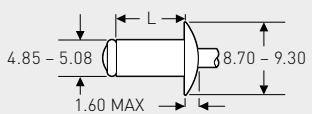
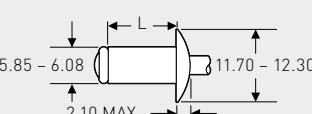
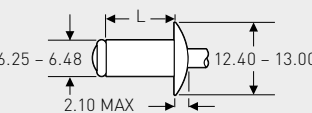
Standard break stem blind rivets

Domed head

See page 12



3-D Data: <http://kvt.partcommunity.com>

| Rivet-Ø | Length nominal | Grip range | Order description | Hole size Ø | |  |  |  |
|---------|----------------|--------------|-------------------|----------------|--|---|---|---|
| 4.8 | 7.5 | 2.4 - 3.2 | TAPD 64 BS | 4.9 |  | 2800 | 2020 | 2.64 |
| | 9.2 | 3.2 - 4.8 | TAPD 66 BS | | | | | |
| | 11.0 | 4.8 - 6.4 | TAPD 68 BS | | | | | |
| | 12.7 | 6.4 - 7.9 | TAPD 610 BS | | | | | |
| | 14.7 | 7.9 - 9.5 | TAPD 612 BS | | | | | |
| | 16.5 | 9.5 - 11.1 | TAPD 614 BS | | | | | |
| | 19.0 | 11.1 - 13.5 | TAPD 617 BS | | | | | |
| | 25.5 | 13.5 - 19.8 | TAPD 625 BS | | | | | |
| 32.0 | 19.8 - 26.2 | TAPD 633 BS | | | | | | |
| 4.8 | 38.2 | 26.2 - 32.8 | TAPD 6150 BS* | 4.9 |  | 2710 | 1950 | 2.64 |
| | 44.5 | 32.8 - 39.1 | TAPD 6175 BS* | | | | | |
| 5.0 | 6.5 | - 3.5 | SNAD 5065 BS | 5.1 |  | 2600 | 2200 | 2.64 |
| | 8.0 | 3.5 - 4.5 | SNAD 5080 BS | | | | | |
| | 10.0 | 4.5 - 6.0 | SNAD 5100 BS | | | | | |
| | 12.0 | 6.0 - 7.5 | SNAD 5120 BS | | | | | |
| | 14.0 | 7.5 - 9.5 | SNAD 5140 BS | | | | | |
| | 16.0 | 9.5 - 11.5 | SNAD 5160 BS | | | | | |
| | 18.0 | 11.5 - 13.5 | SNAD 5180 BS | | | | | |
| | 20.0 | 13.5 - 15.5 | SNAD 5200 BS | | | | | |
| | 22.0 | 15.5 - 17.5 | SNAD 5220 BS | | | | | |
| 25.0 | 17.5 - 20.5 | SNAD 5250 BS | | | | | | |
| 6.0 | 8.0 | 0.5 - 3.5 | SNAD 6080 BS | 6.1 |  | 3800 | 3000 | 3.20 |
| | 10.0 | 3.5 - 5.5 | SNAD 6100 BS | | | | | |
| | 12.0 | 5.5 - 7.5 | SNAD 6120 BS | | | | | |
| | 14.0 | 7.5 - 9.5 | SNAD 6140 BS | | | | | |
| | 16.0 | 9.5 - 11.5 | SNAD 6160 BS | | | | | |
| | 18.0 | 11.5 - 13.5 | SNAD 6180 BS | | | | | |
| 20.0 | 13.5 - 15.5 | SNAD 6200 BS | | | | | | |
| 6.4 | 12.7 | - 6.4 | TAPD 88 BS | 6.5 |  | 4525 | 3200 | 3.66 |
| | 19.5 | 6.4 - 12.7 | TAPD 816 BS | | | | | |
| | 26.2 | 12.7 - 19.8 | TAPD 824 BS | | | | | |

* Body: Aluminum, 5% magnesium

Standard break stem blind rivets

Countersunk 120°

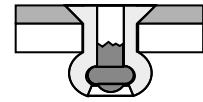


Material




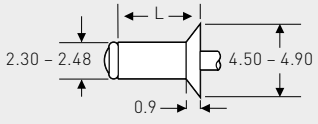
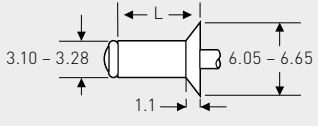
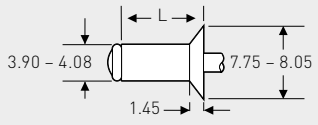
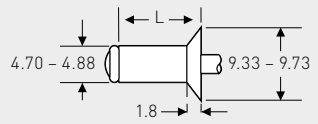
Body: Aluminum, 3.5% magnesium

Mandrel: Steel galvanized

Diameter 3.0 and 5.0 on request



3-D Data: <http://kvt.partcommunity.com>

| Rivet-Ø | Length nominal | Grip range | Order description | Hole size Ø | |  |  |  |
|---------|----------------|-----------------------------|-----------------------------|----------------|--|---|---|---|
| | | | | | | N | N | |
| 2.4 | 4.5 | 0.9 - 1.6 | TAPK 31 BS | 2.5 |  | 500 | 400 | 1.42 |
| | 6.0 | 1.6 - 3.2 | TAPK 33 BS | | | | | |
| | 8.5 | 3.2 - 5.6 | TAPK 36 BS | | | | | |
| 3.2 | 5.5 | 1.1 - 2.7 | TAPK 42 BS | 3.3 |  | 1200 | 800 | 1.83 |
| | 7.5 | 2.7 - 4.3 | TAPK 44 BS | | | | | |
| | 9.0 | 4.3 - 5.8 | TAPK 46 BS | | | | | |
| | 11.0 | 5.8 - 7.4 | TAPK 48 BS | | | | | |
| | 12.7 | 7.4 - 9.0 | TAPK 410 BS | | | | | |
| | 14.5 | 9.0 - 10.6 | TAPK 412 BS | | | | | |
| | 16.2 | 10.6 - 12.2 | TAPK 414 BS | | | | | |
| | 18.0 | 12.2 - 13.8 | TAPK 416 BS | | | | | |
| 19.7 | 13.8 - 15.4 | TAPK 418 BS | | | | | | |
| 4.0 | 8.5 | 1.45 - 4.5 | TAPK 54 BS | 4.1 |  | 1910 | 1330 | 2.29 |
| | 10.0 | 4.5 - 6.1 | TAPK 56 BS | | | | | |
| | 12.0 | 6.1 - 7.7 | TAPK 58 BS | | | | | |
| | 13.5 | 7.7 - 9.3 | TAPK 510 BS | | | | | |
| | 15.5 | 9.3 - 10.9 | TAPK 512 BS | | | | | |
| | 17.0 | 10.9 - 12.4 | TAPK 514 BS | | | | | |
| | 19.0 | 12.4 - 14.0 | TAPK 516 BS | | | | | |
| | 20.0 | 14.0 - 14.8 | TAPK 517 BS | | | | | |
| | 22.0 | 14.8 - 17.2 | TAPK 520 BS | | | | | |
| 4.8 | 9.5 | 1.8 - 4.8 | TAPK 64 BS | 4.9 |  | 2800 | 2020 | 2.64 |
| | 11.0 | 4.8 - 6.4 | TAPK 66 BS | | | | | |
| | 13.0 | 6.4 - 7.9 | TAPK 68 BS | | | | | |
| | 14.5 | 7.9 - 9.5 | TAPK 610 BS | | | | | |
| | 16.5 | 9.5 - 11.1 | TAPK 612 BS | | | | | |
| | 18.2 | 11.1 - 12.7 | TAPK 614 BS | | | | | |
| | 21.0 | 12.7 - 15.1 | TAPK 617 BS | | | | | |
| | 27.5 | 15.1 - 21.4 | TAPK 625 BS | | | | | |
| | 34.0 | 21.4 - 27.8 | TAPK 633 BS | | | | | |

Standard break stem blind rivets

Countersunk 120°

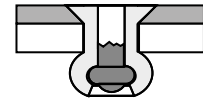


Material




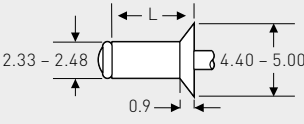
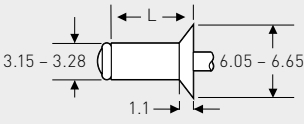
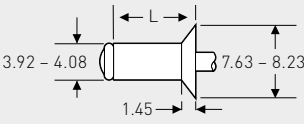
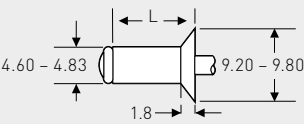
Body: Steel galvanized

Mandrel: Steel galvanized

Diameter 3.0 and 5.0 on request



3-D Data: <http://kvt.partcommunity.com>

| Rivet-Ø | Length nominal | Grip range | Order description | Hole size Ø | |  |  |  |
|---------|----------------|-------------|-----------------------------|----------------|--|---|---|---|
| | | | | | | N | N | |
| 2.4 | 6.1 | 0.9 – 3.2 | TSPK 33 BS | 2.5 |  | 1000 | 700 | 1.42 |
| | 8.5 | 3.2 – 6.0 | TSPK 36 BS | | | | | |
| 3.2 | 5.4 | 1.1 – 2.7 | TSPK 42 BS | 3.3 |  | 1550 | 1150 | 1.93 |
| | 7.3 | 2.7 – 4.3 | TSPK 44 BS | | | | | |
| | 9.0 | 4.3 – 5.8 | TSPK 46 BS | | | | | |
| | 10.8 | 5.8 – 7.4 | TSPK 48 BS | | | | | |
| | 12.6 | 7.4 – 9.0 | TSPK 410 BS | | | | | |
| | 14.4 | 9.0 – 10.6 | TSPK 412 BS | | | | | |
| | 16.1 | 10.6 – 12.2 | TSPK 414 BS | | | | | |
| | 17.9 | 12.2 – 13.8 | TSPK 416 BS | | | | | |
| 4.0 | 6.5 | 1.45 – 2.9 | TSPK 52 BS | 4.1 |  | 2500 | 1730 | 2.29 |
| | 8.5 | 2.9 – 4.5 | TSPK 54 BS | | | | | |
| | 10.0 | 4.5 – 6.1 | TSPK 56 BS | | | | | |
| | 12.0 | 6.1 – 7.7 | TSPK 58 BS | | | | | |
| | 13.5 | 7.7 – 9.3 | TSPK 510 BS | | | | | |
| | 15.5 | 9.3 – 10.9 | TSPK 512 BS | | | | | |
| | 17.0 | 10.9 – 12.4 | TSPK 514 BS | | | | | |
| | 19.0 | 12.4 – 14.0 | TSPK 516 BS | | | | | |
| 4.8 | 9.3 | 2.4 – 4.8 | TSPK 64 BS | 4.9 |  | 3500 | 2620 | 2.90 |
| | 11.1 | 4.8 – 6.4 | TSPK 66 BS | | | | | |
| | 12.8 | 6.4 – 7.9 | TSPK 68 BS | | | | | |
| | 14.6 | 7.9 – 9.5 | TSPK 610 BS | | | | | |
| | 16.4 | 9.5 – 11.1 | TSPK 612 BS | | | | | |
| | 18.2 | 11.1 – 12.7 | TSPK 614 BS | | | | | |
| | 20.0 | 12.7 – 14.3 | TSPK 616 BS | | | | | |
| | 21.0 | 14.3 – 15.1 | TSPK 617 BS | | | | | |

Standard break stem blind rivets

Domed head

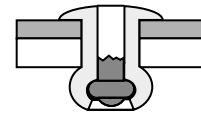


Material

Body: Steel galvanized

Mandrel: Steel galvanized

Further lengths on request



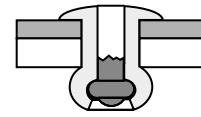
3-D Data: <http://kvt.partcommunity.com>

| Rivet- \varnothing | Length nominal | Grip range | Order description | Hole size \varnothing | | | | |
|----------------------|----------------|-------------|-------------------|-------------------------|--|------|------|------|
| 2.8 | 5.3 | 0.5 - 2.9 | TSPD 33 BS | 2.9 | | 930 | 715 | 1.83 |
| 3.0 | 5.0 | - 2.0 | SNSD 3050 BS | 3.1 | | 1400 | 1100 | 1.83 |
| | 6.5 | 2.0 - 3.5 | SNSD 3065 BS | | | | | |
| | 8.0 | 3.5 - 5.0 | SNSD 3080 BS | | | | | |
| | 10.0 | 5.0 - 7.0 | SNSD 3100 BS | | | | | |
| | 12.0 | 7.0 - 9.0 | SNSD 3120 BS | | | | | |
| | 15.0 | 9.0 - 12.0 | SNSD 3150 BS | | | | | |
| 3.2 | 4.5 | - 1.6 | TSPD 42 BS | 3.3 | | 1550 | 1150 | 1.93 |
| | 6.0 | 1.6 - 3.2 | TSPD 44 BS | | | | | |
| | 8.0 | 3.2 - 4.8 | TSPD 46 BS | | | | | |
| | 9.5 | 4.8 - 6.4 | TSPD 48 BS | | | | | |
| | 11.5 | 6.4 - 7.9 | TSPD 410 BS | | | | | |
| | 13.5 | 7.9 - 9.5 | TSPD 412 BS | | | | | |
| | 15.0 | 9.5 - 11.1 | TSPD 414 BS | | | | | |
| | 17.0 | 11.1 - 12.7 | TSPD 416 BS | | | | | |
| 19.0 | 12.7 - 14.3 | TSPD 418 BS | | | | | | |
| 4.0 | 7.0 | 1.6 - 3.2 | TSPD 54 BS | 4.1 | | 2500 | 1730 | 2.29 |
| | 8.5 | 3.2 - 4.8 | TSPD 56 BS | | | | | |
| | 10.5 | 4.8 - 6.4 | TSPD 58 BS | | | | | |
| | 12.2 | 6.4 - 7.9 | TSPD 510 BS | | | | | |
| | 14.0 | 7.9 - 9.5 | TSPD 512 BS | | | | | |
| 4.8 | 6.5 | - 2.4 | TSPD 63 BS | 4.9 | | 3500 | 2620 | 2.90 |
| | 7.5 | 2.4 - 3.2 | TSPD 64 BS | | | | | |
| | 9.3 | 3.2 - 4.8 | TSPD 66 BS | | | | | |
| | 11.0 | 4.8 - 6.4 | TSPD 68 BS | | | | | |
| | 12.7 | 6.4 - 7.9 | TSPD 610 BS | | | | | |
| | 14.5 | 7.9 - 9.5 | TSPD 612 BS | | | | | |
| | 16.5 | 9.5 - 11.1 | TSPD 614 BS | | | | | |
| | 18.3 | 11.1 - 12.7 | TSPD 616 BS | | | | | |
| | 19.0 | 12.7 - 13.5 | TSPD 617 BS | | | | | |




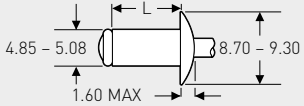
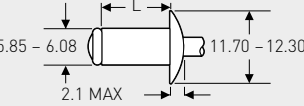
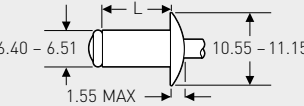
Standard break stem blind rivets

Domed head

See page 16



3-D Data: <http://kvt.partcommunity.com>

| Rivet-Ø | Length nominal | Grip range | Order description | Hole size Ø | |  |  |  |
|---------|----------------|-------------|------------------------------|----------------|--|---|---|---|
| 5.0 | 6.5 | - 2.5 | SNSD 5065 BS | 5.1 |  | 3790 | 2880 | 2.90 |
| | 8.0 | 2.5 - 4.0 | SNSD 5080 BS | | | | | |
| | 10.0 | 4.0 - 6.0 | SNSD 5100 BS | | | | | |
| | 12.0 | 6.0 - 8.0 | SNSD 5120 BS | | | | | |
| | 14.0 | 8.0 - 10.0 | SNSD 5140 BS | | | | | |
| | 16.0 | 10.0 - 12.0 | SNSD 5160 BS | | | | | |
| | 18.0 | 12.0 - 14.0 | SNSD 5180 BS | | | | | |
| 6.0 | 10.0 | 2.0 - 4.0 | SNSD 6100 BS | 6.1 |  | 5500 | 4200 | 3.65 |
| | 12.0 | 4.0 - 6.0 | SNSD 6120 BS | | | | | |
| | 14.0 | 6.0 - 8.0 | SNSD 6140 BS | | | | | |
| | 16.0 | 8.0 - 10.0 | SNSD 6160 BS | | | | | |
| | 18.0 | 10.0 - 12.0 | SNSD 6180 BS | | | | | |
| 6.4 | 9.5 | 0.5 - 3.8 | TSPD 8095 BS | 6.5 |  | 5700 | 5000 | 3.86 |
| | 13.0 | 3.8 - 7.6 | TSPD 8130 BS | | | | | |
| | 18.5 | 7.6 - 12.7 | TSPD 8185 BS | | | | | |
| | 21.6 | 12.7 - 15.9 | SD 810 BS | | | | | |
| | 24.8 | 15.9 - 19.1 | SD 812 BS | | | | | |
| | 27.9 | 19.1 - 22.2 | SD 814 BS | | | | | |
| | 31.1 | 22.2 - 25.4 | SD 816 BS | | | | | |

Standard break stem blind rivets

Domed head

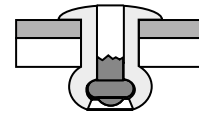


Material




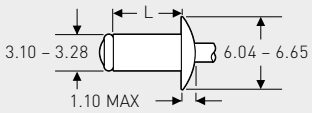
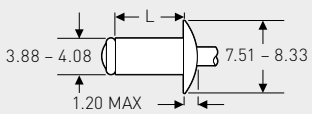
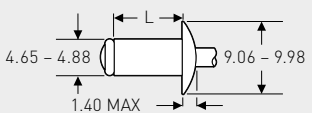
Body: Stainless steel

Mandrel: Stainless steel

Rivets with large flange on request

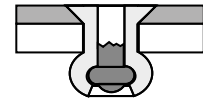


3-D Data: <http://kvt.partcommunity.com>

| Rivet-Ø | Length nominal | Grip range | Order description | Hole size Ø | |  |  |  |
|---------|----------------|--------------|-------------------|-------------|--|---|---|---|
| 3.2 | 4.8 | 0.8 – 1.6 | SSD 41 SSBS | 3.3 |  | 3000 | 2400 | 1.93 |
| | 6.4 | 1.6 – 3.2 | SSD 42 SSBS | | | | | |
| | 8.0 | 3.2 – 4.8 | SSD 43 SSBS | | | | | |
| | 9.5 | 4.8 – 6.4 | SSD 44 SSBS | | | | | |
| | 12.7 | 6.4 – 9.5 | SSD 46 SSBS | | | | | |
| 4.0 | 15.9 | 9.5 – 12.7 | SSD 48 SSBS | 4.1 |  | 5000 | 4000 | 2.41 |
| | 7.0 | 1.6 – 3.2 | SSD 52 SSBS | | | | | |
| | 10.2 | 3.2 – 6.4 | SSD 54 SSBS | | | | | |
| 4.8 | 13.3 | 6.4 – 9.5 | SSD 56 SSBS | 4.9 |  | 6100 | 4400 | 2.90 |
| | 7.6 | 1.6 – 3.2 | SSD 62 SSBS | | | | | |
| | 10.8 | 3.2 – 6.4 | SSD 64 SSBS | | | | | |
| | 14.0 | 6.4 – 9.5 | SSD 66 SSBS | | | | | |
| | 17.2 | 9.5 – 12.7 | SSD 68 SSBS | | | | | |
| | 20.3 | 12.7 – 15.9 | SSD 610 SSBS | | | | | |
| 29.7 | 22.3 – 25.4 | SSD 616 SSBS | | | | | | |

Standard break stem blind rivets

Countersunk 120°






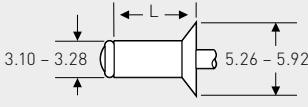
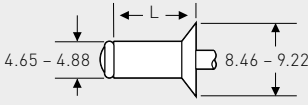
Material

Body: Stainless steel

Mandrel: Stainless steel

Availability on request

3-D Data: <http://kvt.partcommunity.com>

| Rivet-Ø | Length nominal | Grip range | Order description | Hole size Ø | |  |  |  |
|---------|----------------|------------|-----------------------------|----------------|--|---|---|---|
| | | | | | | N | N | |
| 3.2 | 6.4 | 1.6 - 3.2 | SSK 42 SSBS | 3.3 |  | 3110 | 2440 | 1.93 |
| | 8.0 | 3.2 - 4.8 | SSK 43 SSBS | | | | | |
| | 9.5 | 4.8 - 6.4 | SSK 44 SSBS | | | | | |
| 4.8 | 10.8 | 3.2 - 6.4 | SSK 64 SSBS | 4.9 |  | 6110 | 4400 | 2.90 |
| | 17.2 | 9.6 - 12.7 | SSK 68 SSBS | | | | | |

Standard break stem blind rivets

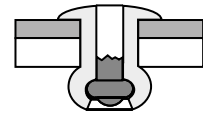
Domed head



Material

Body: NiCu (nickel/copper-alloy)

Mandrel: Steel galvanized **or** stainless steel



3-D Data: <http://kvt.partcommunity.com>

| Rivet-Ø | Length nominal | Grip range | Order description | | Hole size Ø | Technical drawing | N | N | N |
|---------|----------------|-------------|-----------------------------|-----------------------------|-------------|-------------------|------|------|------|
| | | | Steel | Stainless steel | | | | | |
| 2.8 | 5.0 | - 1.8 | TLPD 319 BS | * | 2.9 | | 1300 | 1150 | 1.83 |
| | 5.5 | 1.8 - 2.3 | TLPD 321 BS | * | | | | | |
| 3.2 | 5.0 | - 1.8 | TLPD 419 BS | TLPD 419 SS | 3.3 | | 1900 | 1500 | 1.93 |
| | 6.2 | 1.8 - 3.1 | TLPD 424 BS | TLPD 424 SS | | | | | |
| | 7.5 | 3.1 - 4.3 | TLPD 429 BS | TLPD 429 SS | | | | | |
| | 9.0 | 4.3 - 5.8 | TLPD 435 BS | TLPD 435 SS | | | | | |
| | 10.3 | 5.8 - 7.1 | TLPD 440 BS | TLPD 440 SS | | | | | |
| 4.0 | 6.2 | - 2.5 | TLPD 524 BS | TLPD 524 SS | 4.1 | | 3000 | 2200 | 2.29 |
| | 7.8 | 2.5 - 4.1 | TLPD 530 BS | TLPD 530 SS | | | | | |
| | 9.5 | 4.1 - 5.8 | TLPD 537 BS | TLPD 537 SS | | | | | |
| | 10.3 | 5.8 - 6.6 | TLPD 540 BS | TLPD 540 SS | | | | | |
| | 11.5 | 6.6 - 7.9 | TLPD 545 BS | TLPD 545 SS | | | | | |
| 4.8 | 6.2 | - 2.3 | TLPD 624 BS | TLPD 624 SS | 4.9 | | 3750 | 3300 | 2.90 |
| | 7.7 | 2.3 - 3.8 | TLPD 630 BS | TLPD 630 SS | | | | | |
| | 9.3 | 3.8 - 5.1 | TLPD 636 BS | TLPD 636 SS | | | | | |
| | 10.0 | 5.1 - 5.8 | TLPD 639 BS | TLPD 639 SS | | | | | |
| | 12.8 | 5.8 - 8.6 | TLPD 650 BS | TLPD 650 SS | | | | | |
| | 16.5 | 8.6 - 12.5 | TLPD 665 BS | TLPD 665 SS | | | | | |
| | 19.0 | 12.5 - 15.0 | TLPD 675 BS | TLPD 675 SS | | | | | |
| 6.4 | 12.8 | - 7.6 | TLPD 850 BS | * | 6.6 | | 6750 | 5400 | 3.86 |
| | 18.0 | 7.6 - 12.7 | TLPD 870 BS | * | | | | | |

* Special parts on request

Standard break stem blind rivets

Large flange

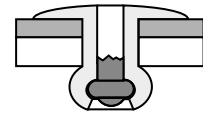


Material

Body: NiCu (nickel/copper-alloy)

Mandrel: Steel galvanized **or** stainless steel

Availability on request



3-D Data: <http://kvt.partcommunity.com>

| Rivet-Ø | Length nominal | Grip range | Order description | | Hole size Ø | 3-D Data | N | N | N |
|---------|----------------|-------------|---------------------------------|-----------------|-------------|----------|------|------|------|
| | | | Steel | Stainless steel | | | | | |
| 4.8 | 16.5 | 8.6 - 12.4 | TLPD 665 BSLF11 | * | 4.9 | | 3750 | 3300 | 2.90 |
| | 19.0 | 12.4 - 15.0 | TLPD 675 BSLF11 | * | | | | | |
| | 21.5 | 15.0 - 17.5 | TLPD 685 BSLF11 | * | | | | | |

* Special parts on request

Standard break stem blind rivets

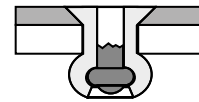
Countersunk 120°



Material

Body: NiCu (nickel/copper-alloy)

Mandrel: Steel galvanized **or** stainless steel



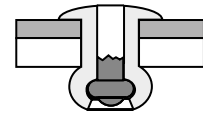
3-D Data: <http://kvt.partcommunity.com>

| Rivet-Ø | Length nominal | Grip range | Order description | | Hole size Ø | Diagram | N | N | N |
|---------|----------------|-------------|-------------------|-----------------|-------------|---------|------|------|------|
| | | | Steel | Stainless steel | | | | | |
| 2.8 | 5.5 | - 2.3 | TLPK 319 BS | * | 2.9 | | 1300 | 1150 | 1.83 |
| | 6.0 | 2.3 - 2.8 | TLPK 321 BS | * | | | | | |
| 3.2 | 4.5 | - 0.8 | TLPK 413 BS | TLPK 413 SS | 3.3 | | 1900 | 1500 | 1.93 |
| | 5.8 | 0.8 - 2.5 | TLPK 419 BS | TLPK 419 SS | | | | | |
| | 7.0 | 2.5 - 3.8 | TLPK 424 BS | TLPK 424 SS | | | | | |
| | 8.5 | 3.8 - 5.1 | TLPK 429 BS | TLPK 429 SS | | | | | |
| | 10.0 | 5.1 - 6.6 | TLPK 435 BS | TLPK 435 SS | | | | | |
| | 11.2 | 6.6 - 7.9 | TLPK 440 BS | TLPK 440 SS | | | | | |
| 4.0 | 7.2 | 1.0 - 3.3 | TLPK 524 BS | TLPK 524 SS | 4.1 | | 3000 | 2200 | 2.29 |
| | 8.7 | 3.3 - 4.8 | TLPK 530 BS | TLPK 530 SS | | | | | |
| | 10.5 | 4.8 - 6.6 | TLPK 537 BS | TLPK 537 SS | | | | | |
| | 11.3 | 6.6 - 7.4 | TLPK 540 BS | TLPK 540 SS | | | | | |
| | 12.5 | 7.4 - 8.6 | TLPK 545 BS | TLPK 545 SS | | | | | |
| 4.8 | 7.5 | 1.3 - 3.1 | TLPK 624 BS | TLPK 624 SS | 4.9 | | 3750 | 3300 | 2.90 |
| | 9.0 | 3.1 - 4.6 | TLPK 630 BS | TLPK 630 SS | | | | | |
| | 10.5 | 4.6 - 5.8 | TLPK 636 BS | TLPK 636 SS | | | | | |
| | 11.0 | 5.8 - 6.6 | TLPK 639 BS | TLPK 639 SS | | | | | |
| | 14.0 | 6.6 - 9.4 | TLPK 650 BS | TLPK 650 SS | | | | | |
| | 18.0 | 9.4 - 13.2 | TLPK 665 BS | TLPK 665 SS | | | | | |
| | 20.5 | 13.2 - 15.8 | TLPK 675 BS | TLPK 675 SS | | | | | |
| 6.4 | 14.5 | 4.6 - 8.4 | TLPK 850 BS | * | 6.6 | | 6750 | 5400 | 3.86 |
| | 19.4 | 8.4 - 13.5 | TLPK 870 BS | * | | | | | |

* Special parts on request

Micro blind rivets

Domed head




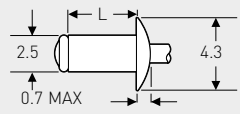
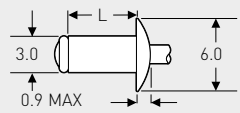


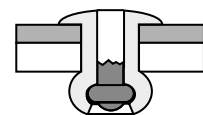
Material

Body: Aluminum 99.5%

Mandrel: Aluminum

3-D Data: <http://kvt.partcommunity.com>

| Rivet-Ø | Length nominal | Grip range | Order description | Hole size Ø | |  |  |  |
|---------|----------------|------------|------------------------------|-------------|--|---|---|---|
| 2.5 | 7.3 | 3.2 – 4.8 | PAD 25M3 ABS | 2.6 |  | 345 | 245 | 1.45 |
| | 8.9 | 4.8 – 6.4 | PAD 25M4 ABS | | | | | |
| | 11.4 | 6.4 – 8.0 | PAD 25M5 ABS | | | | | |
| 3.0 | 8.0 | 3.2 – 4.8 | PAD 30M3 ABS | 3.1 |  | 440 | 295 | 1.83 |
| | 9.8 | 4.8 – 6.4 | PAD 30M4 ABS | | | | | |
| | 11.6 | 6.4 – 8.0 | PAD 30M5 ABS | | | | | |




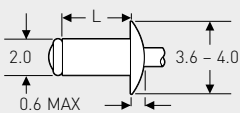


Material

Body: Aluminum, 3.5% magnesium

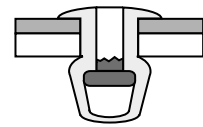
Mandrel: Steel galvanized

3-D Data: <http://kvt.partcommunity.com>

| Rivet-Ø | Length nominal | Grip range | Order description | Hole size Ø | |  |  |  |
|---------|----------------|------------|------------------------------|-------------|--|---|---|---|
| 2.0 | 4.1 | - 1.6 | TAPD 20M1 BS | 2.1 |  | 390 | 295 | 1.1 |
| | 5.7 | 1.6 – 3.2 | TAPD 20M2 BS | | | | | |
| | 7.4 | 3.2 – 4.8 | TAPD 20M3 BS | | | | | |
| | 9.0 | 4.8 – 6.4 | TAPD 20M4 BS | | | | | |
| | 10.7 | 6.4 – 8.0 | TAPD 20M5 BS | | | | | |

Closed end rivets

Domed head closed end



closed



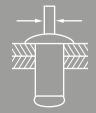
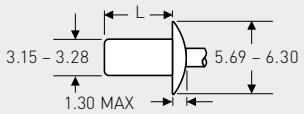
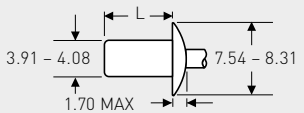
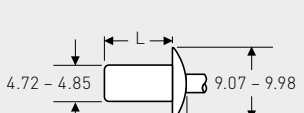
Material

Body: Aluminum 99.5%

Mandrel: Aluminum

Rivets with countersunk on request

3-D Data: <http://kvt.partcommunity.com>

| Rivet-Ø | Length nominal | Grip range | Order description | Hole size Ø | |  |  |  |
|---------|----------------|------------|-------------------|-------------|--|--|--|--|
| 3.2 | 7.6 | - 3.2 | AD 42 AH | 3.3 |  | 660 | 460 | 1.83 |
| | 9.2 | 3.2 - 4.8 | AD 43 AH | | | | | |
| | 10.8 | 4.8 - 6.4 | AD 44 AH | | | | | |
| 4.0 | 9.6 | - 4.8 | AD 53 AH | 4.1 |  | 1050 | 680 | 2.29 |
| | 11.2 | 4.8 - 6.4 | AD 54 AH | | | | | |
| 4.8 | 8.4 | - 3.2 | AD 62 AH | 4.9 |  | 1360 | 960 | 2.74 |
| | 11.5 | 3.2 - 6.4 | AD 64 AH | | | | | |
| | 14.7 | 6.4 - 9.5 | AD 66 AH | | | | | |
| | 17.9 | 9.5 - 12.7 | AD 68 AH | | | | | |

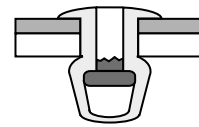
Closed end rivets

Domed head closed end

Material

Body: Aluminum, 5% magnesium

Mandrel: Steel **or** stainless steel



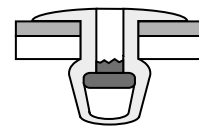
closed

3-D Data: <http://kvt.partcommunity.com>

| Rivet-Ø | Length nominal | Grip range | Order description | | Hole size Ø | | N | N | |
|---------|----------------|-------------|-------------------|-----------------|-------------|--|------|------|------|
| | | | Steel | Stainless steel | | | | | |
| 3.2 | 6.0 | - 1.6 | AD 42 SB | AD 42 SS | 3.3 | | 1400 | 1100 | 1.63 |
| | 7.7 | 1.6 - 3.2 | AD 44 SB | AD 44 SS | | | | | |
| | 9.2 | 3.2 - 4.8 | AD 46 SB | AD 46 SS | | | | | |
| | 10.8 | 4.8 - 6.4 | AD 48 SB | AD 48 SS | | | | | |
| | 12.4 | 6.4 - 7.9 | AD 45 H* | AD 45 SSH* | | | | | |
| 4.0 | 8.0 | - 3.2 | AD 54 SB | AD 54 SS | 4.1 | | 2220 | 1640 | 2.18 |
| | 9.6 | 3.2 - 4.8 | AD 56 SB | AD 56 SS | | | | | |
| | 11.2 | 4.8 - 6.4 | AD 58 SB | AD 58 SS | | | | | |
| | 12.8 | 6.4 - 7.9 | AD 510 SB | AD 510 SS | | | | | |
| 4.8 | 8.4 | - 3.2 | AD 64 SB | AD 64 SS | 4.9 | | 3110 | 2260 | 2.64 |
| | 10.0 | 3.2 - 4.8 | AD 66 SB | AD 66 SS | | | | | |
| | 11.6 | 4.8 - 6.4 | AD 68 SB | AD 68 SS | | | | | |
| | 13.1 | 6.4 - 7.9 | AD 610 SB | AD 610 SS | | | | | |
| | 14.7 | 7.9 - 9.5 | AD 612 SB | AD 612 SS | | | | | |
| | 17.9 | 9.5 - 12.7 | AD 616 SB | AD 616 SS | | | | | |
| | 22.0 | 12.7 - 15.9 | AD 620 SB | AD 620 SS | | | | | |
| 6.4 | 13.0 | - 6.4 | AD 84 H | - | 6.5 | | 4800 | 4000 | 3.66 |
| | 16.0 | 6.4 - 9.5 | AD 86 H | - | | | | | |

Closed end rivets

Large flange closed end



closed




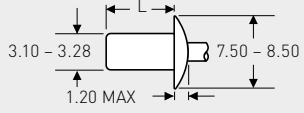
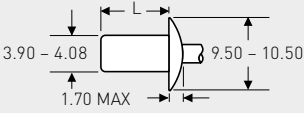
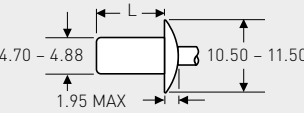
Material

Body: Aluminum, 5% magnesium

Mandrel: Steel

Availability on request

3-D Data: <http://kvt.partcommunity.com>

| Rivet-Ø | Length nominal | Grip range | Order description | Hole size Ø | |  |  |  |
|---------|----------------|------------|-------------------|----------------|--|---|---|---|
| 3.2 | 6.7 | - 1.6 | AD 402 SBMLF8 | 3.3 |  | 1400 | 1100 | 1.65 |
| | 8.3 | 1.6 - 3.2 | AD 404 SBMLF8 | | | | | |
| | 9.9 | 3.2 - 4.8 | AD 406 SBMLF8 | | | | | |
| 4.0 | 8.5 | - 3.2 | AD 504 SBMLF10 | 4.1 |  | 2220 | 1640 | 2.18 |
| | 10.2 | 3.2 - 4.8 | AD 506 SBMLF10 | | | | | |
| | 11.8 | 4.8 - 6.4 | AD 508 SBMLF10 | | | | | |
| | 13.4 | 6.4 - 7.9 | AD 510 SBMLF10 | | | | | |
| 4.8 | 8.9 | - 3.2 | AD 604 SBMLF11 | 4.9 |  | 3110 | 2260 | 2.64 |
| | 10.5 | 3.2 - 4.8 | AD 606 SBMLF11 | | | | | |
| | 12.1 | 4.8 - 6.4 | AD 608 SBMLF11 | | | | | |
| | 13.5 | 6.4 - 7.9 | AD 610 SBMLF11 | | | | | |
| | 15.1 | 7.9 - 9.5 | AD 612 SBMLF11 | | | | | |

Closed end rivets

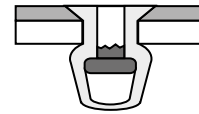
Countersunk closed end 120°

Material

Body: Aluminum, 5% magnesium



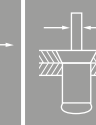
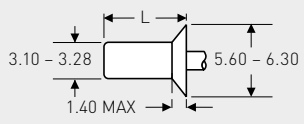
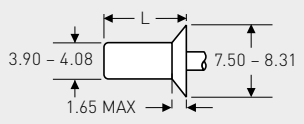
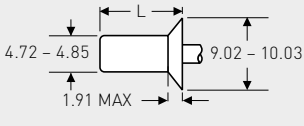
Mandrel: Steel

Rivets with stainless steel mandrel on request



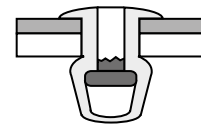
closed

3-D Data: <http://kvt.partcommunity.com>

| Rivet-Ø | Length nominal | Grip range | Order description | Hole size Ø | |  |  |  |
|---------|----------------|------------|-------------------|-------------|--|---|---|---|
| | | | | | | N | N | |
| 3.2 | 8.7 | 1.6 – 3.2 | AK 42 H | 3.3 |  | 1400 | 1110 | 1.63 |
| | 10.2 | 3.2 – 4.8 | AK 43 H | | | | | |
| | 11.8 | 4.8 – 6.4 | AK 44 H | | | | | |
| | 13.4 | 6.4 – 7.9 | AK 45 H | | | | | |
| | 15.0 | 7.9 – 9.5 | AK 46 H | | | | | |
| 4.0 | 9.4 | 1.6 – 3.2 | AK 52 H | 4.1 |  | 2220 | 1640 | 2.18 |
| | 11.0 | 3.2 – 4.8 | AK 53 H | | | | | |
| | 12.6 | 4.8 – 6.4 | AK 54 H | | | | | |
| | 14.2 | 6.4 – 7.9 | AK 55 H | | | | | |
| | 16.0 | 7.9 – 9.5 | AK 56 H | | | | | |
| 4.8 | 10.1 | 1.6 – 3.2 | AK 62 H | 4.9 |  | 3110 | 2260 | 2.64 |
| | 13.3 | 3.2 – 6.4 | AK 64 H | | | | | |
| | 16.5 | 6.4 – 9.5 | AK 66 H | | | | | |
| | 19.5 | 9.5 – 12.7 | AK 68 H | | | | | |

Closed end rivets

Domed head closed end



closed




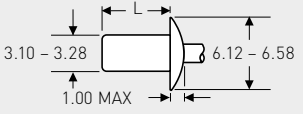
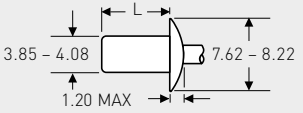
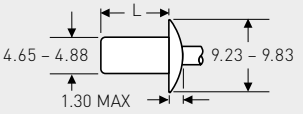
Material

Body: Steel galvanized

Mandrel: Steel galvanized

Rivets with countersunk and large flange on request

3-D Data: <http://kvt.partcommunity.com>

| Rivet-Ø | Length nominal | Grip range | Order description | Hole size Ø | |  |  |  |
|---------|----------------|------------|-------------------|-------------|--|---|---|---|
| 3.2 | 9.7 | 3.2 - 4.8 | SD 46 SB | 3.3 |  | 1200 | 1150 | 1.93 |
| 4.0 | 10.2 | 1.6 - 4.8 | SD 56 SB | 4.1 |  | 1860 | 1730 | 2.29 |
| 4.8 | 9.2 | - 3.2 | SD 64 SB | 4.9 |  | 2840 | 2425 | 2.90 |
| | 12.4 | 3.2 - 6.4 | SD 68 SB | | | | | |

Closed end rivets

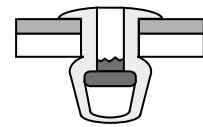
Domed head closed end

Material

Body: Stainless steel




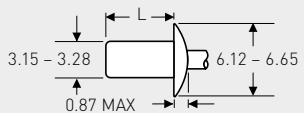
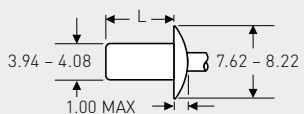
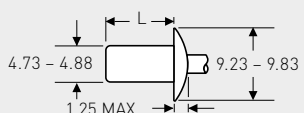
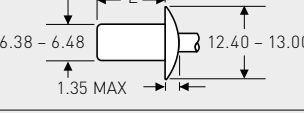
Mandrel: Stainless steel

Rivets with countersunk and large flange on request



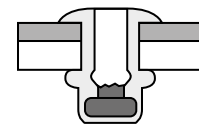
closed

3-D Data: <http://kvt.partcommunity.com>

| Rivet-Ø | Length nominal | Grip range | Order description | Hole size Ø | |  |  |  |
|---------|----------------|------------|---------------------------|----------------|--|---|---|---|
| | | | | | | N | N | |
| 3.2 | 6.6 | - 1.6 | TD 402 GT | 3.3 |  | 2220 | 2100 | 2.00 |
| | 8.0 | 1.6 - 3.2 | TD 404 GT | | | | | |
| | 9.7 | 3.2 - 4.8 | TD 406 GT | | | | | |
| | 11.3 | 4.8 - 6.4 | TD 408 GT | | | | | |
| | 12.9 | 6.4 - 7.9 | TD 410 GT | | | | | |
| 4.0 | 8.6 | - 3.2 | TD 504 GT | 4.1 |  | 4000 | 3300 | 2.36 |
| | 10.2 | 3.2 - 4.8 | TD 506 GT | | | | | |
| | 11.8 | 4.8 - 6.4 | TD 508 GT | | | | | |
| | 13.4 | 6.4 - 7.9 | TD 510 GT | | | | | |
| 4.8 | 9.2 | - 3.2 | TD 604 GT | 4.9 |  | 4400 | 4300 | 2.97 |
| | 10.8 | 3.2 - 4.8 | TD 606 GT | | | | | |
| | 12.5 | 4.8 - 6.4 | TD 608 GT | | | | | |
| | 15.5 | 6.4 - 9.5 | TD 612 GT | | | | | |
| | 18.5 | 9.5 - 12.7 | TD 616 GT | | | | | |
| 6.4 | 14.2 | - 6.4 | TD 808 GT | 6.5 |  | 8700 | 6800 | 3.93 |
| | 15.7 | 6.4 - 7.9 | TD 810 GT | | | | | |
| | 20.5 | 7.9 - 12.7 | TD 816 GT | | | | | |

Closed end rivets

Large secondary expansion, closed end



closed

Material




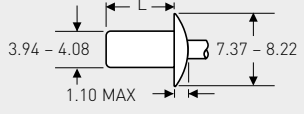
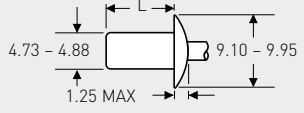
Body: Stainless steel

Mandrel: Stainless steel

Benefits

Superior clamping force, tightness, high resistance to broaching even in soft materials

3-D Data: <http://kvt.partcommunity.com>

| Rivet-Ø | Length nominal | Grip range | Order description | Hole size Ø | |  |  |  |
|---------|----------------|------------|-------------------|----------------|--|---|---|---|
| 4.0 | 12.9 | 4.0 – 6.0 | TVD 505 GT | 4.1 |  | 3000 | 3000 | 2.29 |
| 4.8 | 12.3 | 2.0 – 4.5 | TVD 603 GT | 5.0 |  | 4800 | 4300 | 2.97 |
| | 13.7 | 3.5 – 6.0 | TVD 605 GT | | | | | |
| | 15.3 | 5.0 – 7.5 | TVD 607 GT | | | | | |
| | 16.8 | 6.5 – 9.0 | TVD 609 GT | | | | | |
| | 19.7 | 9.0 – 11.5 | TVD 613 GT | | | | | |

Closed end rivets

Domed head closed end

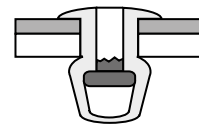
Material

Body: Copper

Mandrel: Steel

Rivets with countersunk, large flange and stainless steel mandrel on request

Availability on request



closed

3-D Data: <http://kvt.partcommunity.com>

| Rivet-Ø | Length nominal | Grip range | Order description | Hole size Ø | | | | |
|---------|----------------|------------|-------------------|----------------|--|------|------|------|
| 3.2 | 6.0 | - 1.6 | CD 42 SB | 3.3 | | 1420 | 1020 | 1.63 |
| | 7.5 | 1.6 - 3.2 | CD 44 SB | | | | | |
| | 9.0 | 3.2 - 4.8 | CD 46 SB | | | | | |
| | 12.3 | 6.4 - 7.9 | CD 410 SB* | | | | | |
| 4.0 | 9.5 | - 4.8 | CD 56 SB | 4.1 | | 2260 | 1550 | 2.18 |
| | 12.7 | 4.8 - 7.9 | CD 510 SB | | | | | |
| 4.8 | 8.5 | - 3.2 | CD 64 SB | 4.9 | | 3110 | 2130 | 2.64 |
| | 11.5 | 3.2 - 6.4 | CD 68 SB | | | | | |

Closed end rivets

Domed head closed end



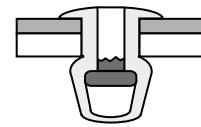
Material

Body: NiCu (copper/alloy)

Mandrel: Steel




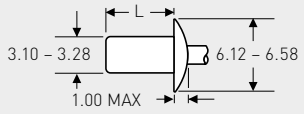
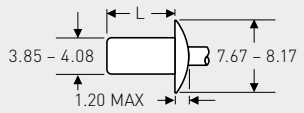
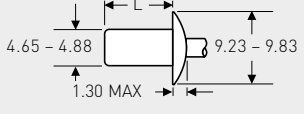
Rivets with countersunk and large flange on request

Availability on request



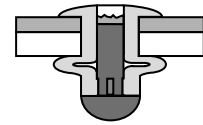
closed

3-D Data: <http://kvt.partcommunity.com>

| Rivet-Ø | Length nominal | Grip range | Order description | Hole size Ø | |  |  |  |
|---------|----------------|------------|---------------------------|-------------|--|---|---|---|
| 3.2 | 8.0 | - 3.2 | LD 44 SB | 3.3 |  | 1900 | 1500 | 1.93 |
| | 9.7 | 3.2 - 4.8 | LD 46 SB | | | | | |
| | 11.3 | 4.8 - 6.4 | LD 48 SB | | | | | |
| | 13.0 | 6.4 - 7.9 | LD 410 SB | | | | | |
| 4.0 | 8.5 | - 3.2 | LD 54 SB | 4.1 |  | 3000 | 2200 | 2.29 |
| | 10.2 | 3.2 - 4.8 | LD 56 SB | | | | | |
| | 11.8 | 4.8 - 6.4 | LD 58 SB | | | | | |
| | 13.4 | 6.4 - 7.9 | LD 510 SB | | | | | |
| 4.8 | 9.2 | - 3.2 | LD 64 SB | 4.9 |  | 3750 | 3300 | 2.90 |
| | 10.8 | 3.2 - 4.8 | LD 66 SB | | | | | |
| | 12.4 | 4.8 - 6.4 | LD 68 SB | | | | | |

High-strength F-Grip rivets

Domed head



- Strong clamping forces
- High pull out performance through discoid secondary expansion
- Rattle resistance because of the positively retained stem
- High durability of the rivet tools because of the grooved mandrel
- Reliable, repeatable rivet function




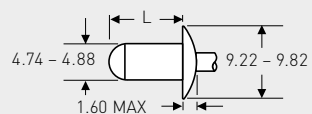
Material

Body: Aluminum

Mandrel: Steel

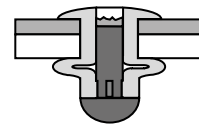
Other dimensions on request

3-D Data: <http://kvt.partcommunity.com>

| Rivet-Ø | Length nominal | Grip range | Order description | Hole size Ø | |  |  |  |
|---------|----------------|------------|--------------------------------|-------------|--|---|---|---|
| | | | | | | N | N | |
| 4.8 | 11 | 1.5 – 3.5 | FG11-04809-511 | 4.9 – 5.0 |  | 2050 | 1850 | 3.00 |
| | 14 | 3.5 – 6.0 | FG11-04812-511 | | | 2800 | 2600 | |
| | 16 | 6.0 – 8.5 | FG11-04814-511 | | | 2800 | 3500 | |

High-strength F-Grip rivets

Domed head



- Strong clamping forces
- High pull out performance through discoid secondary expansion
- Rattle resistance because of the positively retained stem
- High durability of the rivet tools because of the grooved mandrel
- Reliable, repeatable rivet function

Material

Body: Steel galvanized

Mandrel: Steel galvanized

Other dimensions and availability on request

3-D Data: <http://kvt.partcommunity.com>

| Rivet-Ø | Length nominal | Grip range | Order description | Hole size Ø | | | | |
|---------|----------------|------------|--------------------------------|-------------|--|------|------|------|
| 4.8 | 12 | 1.5 – 3.5 | FG21-04809-511 | 4.9 – 5.0 | | 4250 | 3600 | 3.00 |
| | 13 | 2.0 – 5.0 | FG21-04810-511 | | | 4250 | 4150 | |
| | 14 | 3.5 – 6.0 | FG21-04811-511 | | | 4000 | 4600 | |
| | 15 | 4.5 – 7.0 | FG21-04812-511 | | | 4000 | 5000 | |
| | 17 | 6.0 – 8.5 | FG21-04814-511 | | | 3550 | 5700 | |

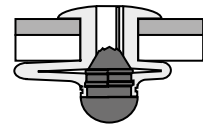
Devices and tools for setting an F-Grip rivet

| Diameter | Tool * | Jaw pusher | Nosepiece | Jaw |
|----------|--------------|------------|------------------|----------|
| 3.2 | ProSet® 2500 | Standard | PRN 4 HR (19422) | Standard |
| 4.0 | ProSet® 2500 | Standard | PRN 5 HR (19423) | Standard |
| 4.8 | ProSet® 2500 | Standard | PRN 6 HR (19424) | Standard |

* Tools on page 56 – 66

Load-spreading rivets

Domed head




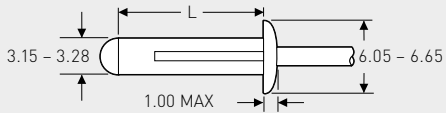
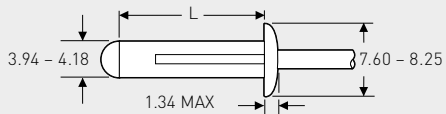
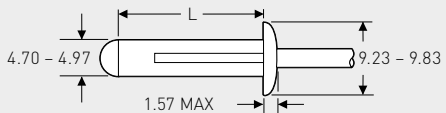


Material

Body: Aluminum, 3.5% magnesium

Mandrel: Aluminum

3-D Data: <http://kvt.partcommunity.com>

| Rivet-Ø | Length nominal | Grip range | Order description | Hole size Ø | |  |  |  |
|---------|----------------|------------|-------------------|-------------|--|---|---|---|
| 3.2 | 17.1 | - 6.35 | ACD 408 ASM | 3.4 - 3.5 |  | 500 | 400 | 1.83 |
| | 21.3 | - 9.5 | ACD 412 ASM | | | 900 | 700 | 2.29 |
| 4.0 | 17.5 | - 6.35 | ACD 508 ASM | 4.2 - 4.3 |  | 1400 | 1000 | 2.64 |
| | 21.3 | 3.0 - 9.5 | ACD 512 ASM | | | 900 | 700 | 2.29 |
| | 25.0 | 5.0 - 12.0 | ACD 516 ASM | | | 1400 | 1000 | 2.64 |
| 4.8 | 17.5 | - 6.35 | ACD 608 ASM | 5.0 - 5.2 |  | 1400 | 1000 | 2.64 |
| | 19.8 | 3.0 - 9.5 | ACD 612 ASM | | | 1400 | 1000 | 2.64 |
| | 23.5 | 5.0 - 12.0 | ACD 616 ASM | | | 1400 | 1000 | 2.64 |

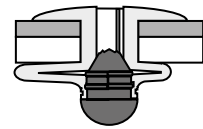
Load-spreading rivets

Large flange




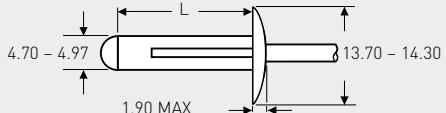
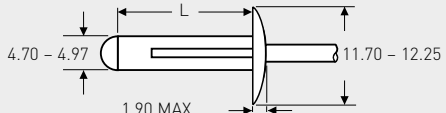
Material

Body: Aluminum, 3.5% magnesium

Mandrel: Aluminum



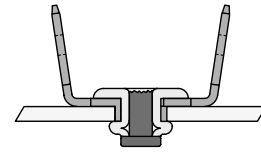
3-D Data: <http://kvt.partcommunity.com>

| Rivet-Ø | Length nominal | Grip range | Order description | Hole size Ø | |  |  |  |
|---------|----------------|------------|---------------------------------|-------------|--|---|---|---|
| 4.8 | 17.5 | - 6.35 | ACD 608 ASMLF14 | 5.0 - 5.2 |  | 1400 | 1000 | 2.64 |
| | 19.8 | 3.0 - 9.5 | ACD 612 ASMLF14 | | | | | |
| | 23.5 | 5.0 - 12.0 | ACD 616 ASMLF14 | | | | | |
| 4.8 | 17.5 | - 6.35 | ACD 608 ASMLF12 | 5.0 - 5.2 |  | 1400 | 1000 | 2.64 |
| | 19.8 | 3.0 - 9.5 | ACD 612 ASMLF12 | | | | | |
| | 23.5 | 5.0 - 12.0 | ACD 616 ASMLF12 | | | | | |

Terminal-tag rivets

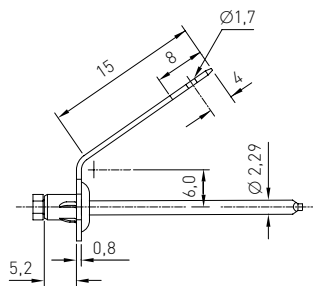
Material

Body: Copper
Mandrel: Steel, copper-plated
Tag: Brass

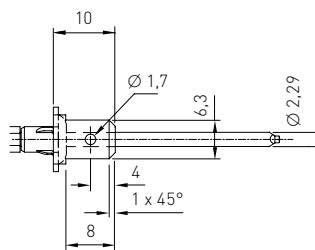


Detailed drawings

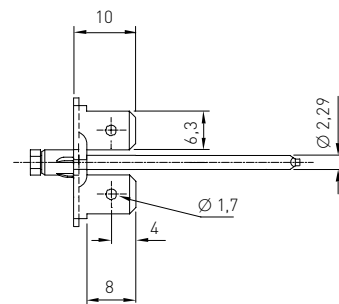
Order description: PMC 46/01





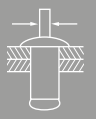
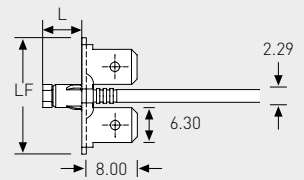
Order description: PMC 2/6.3



Order description: PMC 4/6.3



3-D Data: <http://kvt.partcommunity.com>

| Rivet-Ø | Length nominal | Grip range | Tag length LF | Order description | Tag quantity | Hole size Ø | |  |  |  |
|---------|----------------|------------|---------------|-------------------|--------------|-------------|--|---|---|---|
| 4.0 | 5.3 | -2.0 | 10.5 | PMC 46/01 | 1 | 5.15 |  | | | |
| | 5.3 | -2.0 | 21.0 | PMC 2/6.3 | 2 | | | 1910 | 1330 | 2.30 |
| | 5.3 | -2.0 | 42.0 | PMC 4/6.3 | 4 | | | | | |

MGR multigrip rivets

Domed head

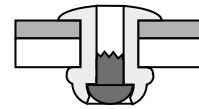


Material

Body: Aluminum, 2.5% magnesium

Mandrel: Steel, galvanized **or** stainless steel

Rivets with countersunk on request

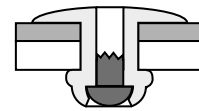


3-D Data: <http://kvt.partcommunity.com>

| Rivet-Ø | Length nominal | Grip range | Order description | | Hole size Ø | Technical drawing | N | N | N |
|---------|----------------|------------|-------------------|-----------------|-------------|-------------------|------|------|------|
| | | | Steel | Stainless steel | | | | | |
| 3.2 | 8.0 | - 4.8 | EBD 406 BS | EBD 406 SS | 3.3 | | 930 | 690 | 1.83 |
| | 11.5 | 4.8 - 7.9 | EBD 410 BS | EBD 410 SS | | | | | |
| 4.0 | 10.5 | - 6.4 | EBD 508 BS | EBD 508 SS | 4.1 | | 1570 | 1000 | 2.29 |
| | 14.0 | 3.0 - 9.5 | EBD 512 BS | EBD 512 SS | | | | | |
| 4.8 | 11.0 | - 6.4 | EBD 608 BS | EBD 608 SS | 4.9 | | 2250 | 1570 | 2.64 |
| | 16.5 | 6.4 - 11.1 | EBD 614 BS | EBD 614 SS | | | | | |
| 6.4 | 11.0 | 2.0 - 4.8 | TAVD 806 BS | TAVD 806 SS | 6.5 | | 4000 | 2800 | 3.70 |
| | 16.4 | 3.5 - 8.5 | TAVD 812 BS | TAVD 812 SS | | | | | |

MGR multigrip rivets

Large flange





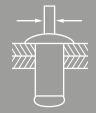
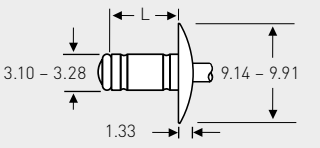
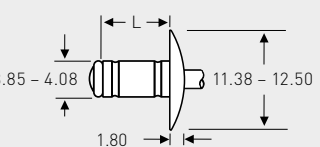
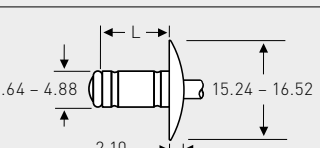
Material

Body: Aluminum, 2.5% magnesium

Mandrel: Steel

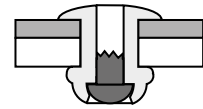
Availability on request

3-D Data: <http://kvt.partcommunity.com>

| Rivet-Ø | Length nominal | Grip range | Order description | Hole size Ø | |  |  |  |
|---------|----------------|-------------|-------------------|----------------|--|---|---|---|
| | | | | | | N | N | |
| 3.2 | 8.0 | 1.0 – 4.8 | AD 41-43 BSLF | 3.3 |  | 980 | 680 | 1.93 |
| | 11.5 | 4.0 – 7.9 | AD 43-45 BSLF | | | | | |
| 4.0 | 10.2 | 1.2 – 6.4 | AD 52-54 BSLF | 4.1 |  | 1600 | 1100 | 2.41 |
| | 12.3 | 3.2 – 7.9 | AD 53-55 BSLF | | | | | |
| 4.8 | 10.8 | 1.6 – 6.4 | AD 62-64 BSLF | 4.9 |  | 2240 | 1550 | 2.90 |
| | 18.2 | 6.4 – 12.7 | AD 66-68 BSLF | | | | | |
| | 26.7 | 11.1 – 19.1 | AD 68-612 BSLF | | | | | |

MGR multigrip rivets

Domed head






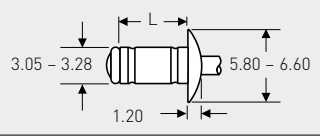
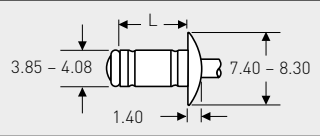
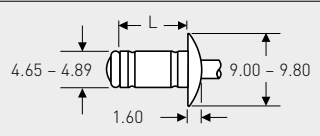
Material

Body: Steel galvanized

Mandrel: Steel galvanized

Availability on request

3-D Data: <http://kvt.partcommunity.com>

| Rivet-Ø | Length nominal | Grip range | Order description | Hole size Ø | |  |  |  |
|---------|----------------|------------|---------------------------------|-------------|--|---|---|---|
| | | | | | | N | N | |
| 3.2 | 8.5 | 1.5 - 5.0 | MG 21-03208-510 | 3.3 |  | 1600 | 1200 | 1.93 |
| | 12.5 | 4.0 - 8.0 | MG 21-03212-510 | | | | | |
| 4.0 | 10.5 | 1.5 - 6.0 | MG 21-04010-510 | 4.1 |  | 2400 | 1650 | 2.29 |
| | 16.5 | 4.0 - 12.0 | MG 21-04016-510 | | | | | |
| 4.8 | 10.5 | 1.5 - 6.0 | MG 21-04810-510 | 4.9 |  | 3200 | 2700 | 2.90 |
| | 16.5 | 4.0 - 11.0 | MG 21-04816-510 | | | | | |

MGR multigrip rivets

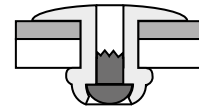
Large flange

Material




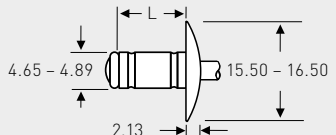
Body: Steel galvanized

Mandrel: Steel

Availability on request

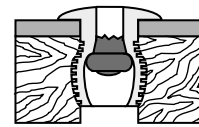


3-D Data: <http://kvt.partcommunity.com>

| Rivet-Ø | Length nominal | Grip range | Order description | Hole size Ø | |  N |  N |  N |
|---------|----------------|------------|-------------------|----------------|--|--|--|--|
| 4.8 | 10.5 | 1.5 - 6.0 | MG 22-04810-210 | 4.9 |  | 3200 | 2700 | 2.90 |
| | 16.5 | 4.0 - 11.0 | MG 22-04816-210 | | | | | |

Grooved blind rivets

Domed head




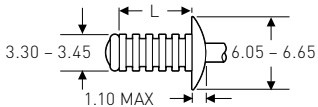
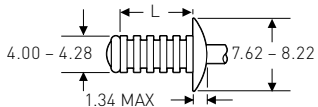
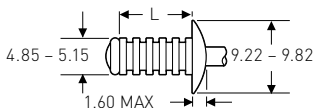
Material

Body: Aluminum, 3.5% magnesium

Mandrel: Steel galvanized

Availability on request

3-D Data: <http://kvt.partcommunity.com>

| Rivet-Ø | Length nominal | Order description | Hole size Ø | |  |
|---------|----------------|-------------------|-------------|--|---|
| 3.3 | 9.7 | TASD 48 BS | 3.5 |  | 1.83 |
| 4.1 | 8.5 | TASD 56 BS | 4.3 |  | 2.29 |
| | 12.1 | TASD 510 BS | | | |
| 5.0 | 7.9 | TASD 64 BS | 5.2 |  | 2.64 |
| | 11.3 | TASD 68 BS | | | |
| | 13.4 | TASD 610 BS | | | |
| | 15.0 | TASD 612 BS | | | |
| | 26.0 | TASD 625 BS | | | |

Peel rivets

Domed head



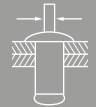
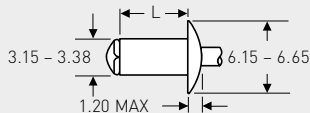
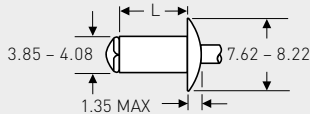
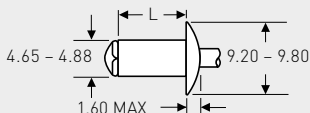


Material

Body: Aluminum, 3.5% magnesium

Mandrel: Steel galvanized

3-D Data: <http://kvt.partcommunity.com>

| Rivet-Ø | Length nominal | Grip range | Order description | Hole size Ø | |  |  |  |
|---------|----------------|-------------|-----------------------------|-------------|--|---|---|---|
| | | | | | | N | N | |
| 3.2 | 10.0 | 1.5 – 6.0 | TAPD 408 S0 | 3.6 |  | 800 | 800 | 1.83 |
| | 13.5 | 5.0 – 9.0 | TAPD 412 S0 | | | | | |
| | 18.7 | 8.0 – 14.0 | TAPD 418 S0 | | | | | |
| 4.0 | 10.5 | 1.5 – 6.0 | TAPD 508 S0 | 4.4 |  | 1000 | 1000 | 2.45 |
| | 14.0 | 5.0 – 9.0 | TAPD 512 S0 | | | | | |
| | 19.5 | 8.0 – 14.0 | TAPD 518 S0 | | | | | |
| 4.8 | 11.1 | 1.5 – 6.0 | TAPD 608 S0 | 5.2 |  | 2000 | 2000 | 2.64 |
| | 14.7 | 5.0 – 9.0 | TAPD 612 S0 | | | | | |
| | 19.0 | 8.0 – 14.0 | TAPD 617 S0 | | | | | |
| | 25.5 | 14.0 – 20.0 | TAPD 625 S0 | | | | | |

Peel rivets

Large flange




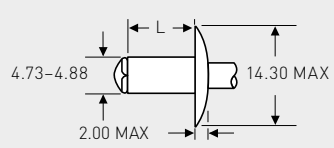
Material

Body: Aluminum, 3.5% magnesium

Mandrel: Steel galvanized



3-D Data: <http://kvt.partcommunity.com>

| Rivet-Ø | Length nominal | Grip range | Order description | Hole size Ø | |  N |  N |  N |
|---------|----------------|-------------|---------------------------------|-------------|--|--|--|--|
| 4.8 | 11.1 | 1.5 – 6.0 | TAPD 608 SOLF14 | 5.2 |  | 2000 | 2000 | 2.64 |
| | 14.7 | 5.0 – 9.0 | TAPD 612 SOLF14 | | | | | |
| | 19.0 | 8.0 – 14.0 | TAPD 617 SOLF14 | | | | | |
| | 25.5 | 14.0 – 20.0 | TAPD 625 SOLF14 | | | | | |

Flush-setting rivets

Countersunk 120°



Pull-through rivet which sets flush on both sides*

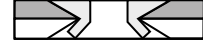
- Flush on both sides after counter of the material
- The mandrel is pulled through after setting and drops down

Material

Body: Steel galvanized



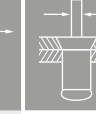

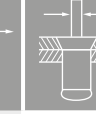
Mandrel: Steel galvanized

Other lengths on request



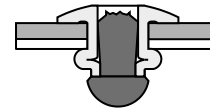
* Max. 0.4 mm overlap on the blind side is allowed!

3-D Data: <http://kvt.partcommunity.com>

| Rivet-Ø | Length nominal | Grip range | Order description | Hole size Ø | |  |  |  |
|---------|----------------|------------|-----------------------------|-------------|--|---|---|---|
| 3.0 | 2.8 | 2.0 – 2.5 | SKK 3030 PT | 3.3 |  |  |  |  |
| | 3.3 | 2.5 – 3.0 | SKK 3035 PT | | | 700 | 800 | 1.90 |
| | 3.8 | 3.0 – 3.5 | SKK 3040 PT | | | | | |

High-retention rivets

Domed head



- Extraordinary clamping force
- Large secondary expansion
- Mandrel retention




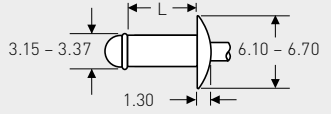
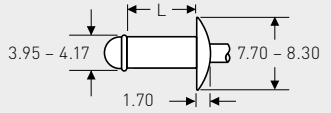
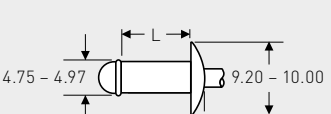
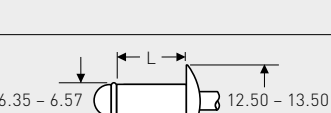
Material

Body: Steel galvanized

Mandrel: Steel galvanized

Availability on request

3-D Data: <http://kvt.partcommunity.com>

| Rivet-Ø | Length nominal | Grip range | Order description | Hole size Ø | |  |  |  |
|---------|----------------|------------|-------------------|-------------|--|---|---|---|
| 3.2 | 8.0 | 1.6 - 3.2 | SD 42 HR | 3.4 |  | 1700 | 1450 | 2.20 |
| | 9.6 | 3.2 - 4.8 | SD 43 HR | | | | | |
| | 11.2 | 4.8 - 6.4 | SD 44 HR | | | | | |
| 4.0 | 9.0 | 1.6 - 3.2 | SD 52 HR | 4.2 |  | 2600 | 2000 | 2.80 |
| | 10.6 | 3.2 - 4.8 | SD 53 HR | | | | | |
| | 12.2 | 4.8 - 6.4 | SD 54 HR | | | | | |
| 4.8 | 9.2 | 1.6 - 3.2 | SD 62 HR | 5.0 |  | 3400 | 3100 | 3.40 |
| | 10.8 | 3.2 - 4.8 | SD 63 HR | | | | | |
| | 12.4 | 4.8 - 6.4 | SD 64 HR | | | | | |
| | 14.0 | 6.4 - 8.0 | SD 65 HR | | | | | |
| 6.4 | 11.3 | 1.2 - 4.8 | SD 83 HR | 6.6 |  | 5350 | 3900 | 4.60 |
| | 14.5 | 4.8 - 8.0 | SD 85 HR | | | | | |

High-retention rivets

Large flange

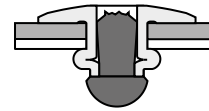
- Extraordinary clamping force
- Large secondary expansion
- Mandrel retention

Material




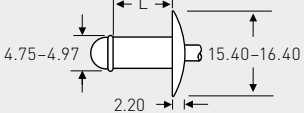
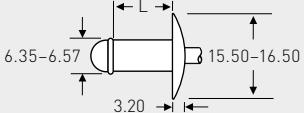
Body: Steel galvanized

Mandrel: Steel galvanized

Availability on request



3-D Data: <http://kvt.partcommunity.com>

| Rivet-Ø | Length nominal | Grip range | Order description | Hole size Ø | |  |  |  |
|---------|----------------|------------|-------------------|----------------|--|---|---|---|
| 4.8 | 9.2 | 1.6 – 3.2 | SD 62 HRLF | 5.0 |  | 3400 | 3100 | 3.40 |
| | 10.8 | 3.2 – 4.8 | SD 63 HRLF | | | | | |
| | 12.4 | 4.8 – 6.4 | SD 64 HRLF | | | | | |
| | 14.0 | 6.4 – 8.0 | SD 65 HRLF | | | | | |
| 6.4 | 11.3 | 1.2 – 4.8 | SD 83 HRLF | 6.6 |  | 5350 | 3900 | 4.60 |
| | 19.2 | 4.8 – 8.0 | SD 85 HRLF | | | | | |

High-retention rivets

Domed head

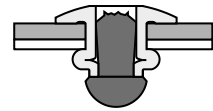
- Extraordinary clamping force
- Large secondary expansion
- Mandrel retention

Material




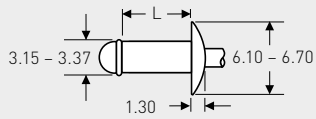
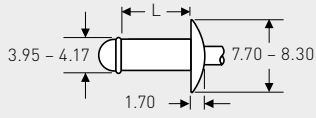
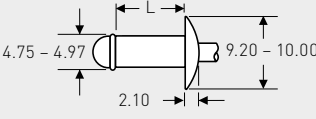
Body: Stainless steel

Mandrel: Stainless steel

Availability on request



3-D Data: <http://kvt.partcommunity.com>

| Rivet-Ø | Length nominal | Grip range | Order description | Hole size Ø | |  |  |  |
|---------|----------------|------------|-------------------|-------------|--|---|---|---|
| | | | | | | N | N | |
| 3.2 | 8.0 | 1.3 - 3.2 | SSD 42 SSHR | 3.4 |  | 2500 | 1900 | 2.20 |
| | 9.6 | 3.2 - 4.8 | SSD 43 SSHR | | | | | |
| | 11.3 | 4.8 - 6.4 | SSD 44 SSHR | | | | | |
| 4.0 | 9.0 | 1.6 - 3.2 | SSD 52 SSHR | 4.2 |  | 3800 | 2800 | 2.80 |
| | 10.6 | 3.2 - 4.8 | SSD 53 SSHR | | | | | |
| | 12.2 | 4.8 - 6.4 | SSD 54 SSHR | | | | | |
| 4.8 | 9.2 | 1.3 - 3.2 | SSD 62 SSHR | 5.0 |  | 5000 | 4700 | 3.40 |
| | 10.8 | 3.2 - 4.8 | SSD 63 SSHR | | | | | |
| | 12.4 | 4.8 - 6.4 | SSD 64 SSHR | | | | | |

High-retention rivets

Countersunk 120°

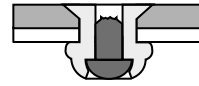
- Extraordinary clamping force
- Large secondary expansion
- Mandrel retention

Material



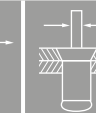
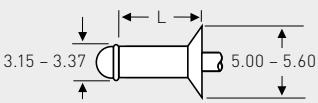
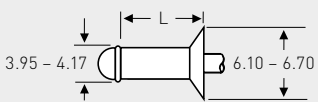
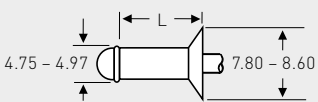
Body: Stainless steel

Mandrel: Stainless steel

Availability on request

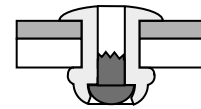


3-D Data: <http://kvt.partcommunity.com>

| Rivet-Ø | Length nominal | Grip range | Order description | Hole size Ø | |  |  |  |
|---------|----------------|------------|-----------------------------|-------------|--|---|---|---|
| | | | | | | N | N | |
| 3.2 | 8.0 | 2.0 – 3.2 | SSK 42 SSHR | 3.4 |  | 2000 | 1400 | 2.10 |
| | 9.6 | 3.2 – 4.8 | SSK 43 SSHR | | | | | |
| | 11.2 | 4.8 – 6.4 | SSK 44 SSHR | | | | | |
| 4.0 | 9.0 | 2.0 – 3.2 | SSK 52 SSHR | 4.2 |  | 3000 | 2100 | 2.80 |
| | 10.6 | 3.2 – 4.8 | SSK 53 SSHR | | | | | |
| | 12.2 | 4.8 – 6.4 | SSK 54 SSHR | | | | | |
| 4.8 | 10.8 | 2.4 – 4.8 | SSK 63 SSHR | 5.0 |  | 5000 | 3700 | 3.40 |
| | 12.4 | 4.8 – 6.8 | SSK 64 SSHR | | | | | |

Vgrip™-rivets

Domed head






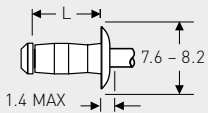
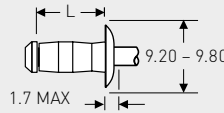
- Large grip range – a single rivet for many connections
- Strong clamping forces
- High pull out performance through discoid secondary expansion
- Rattle resistance because of the positively retained stem
- High durability of the rivet tools because of the grooved mandrel
- Reliable, repeatable rivet function

Material

Body: Aluminum

Mandrel: Steel

3-D Data: <http://kvt.partcommunity.com>

| Rivet-Ø | Length nominal | Grip range | Order description | Hole size Ø | |  |  |  |
|---------|----------------|------------|---------------------------------|-------------|--|---|---|---|
| 4.0 | 10.8 | 2.0 - 5.0 | PVG 11-4010-511 | 4.1 - 4.3 |  | 1500 | 950 | 2.4 |
| | 11.8 | 3.0 - 6.0 | PVG 11-4011-511 | | | | | |
| | 13.8 | 5.0 - 8.0 | PVG 11-4013-511 | | | | | |
| | 15.8 | 7.0 - 10.0 | PVG 11-4015-511 | | | | | |
| 4.8 | 10.8 | 1.5 - 6.0 | VG 11-04810-511 | 4.9 - 5.0 |  | 1900 | 1200 | 3.12 |
| | 16.5 | 6.0 - 10.0 | VG 11-04816-511 | | | | | |

Vgrip™-rivets

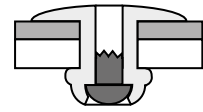
Large flange

- Large grip range – a single rivet for many connections
- Strong clamping forces
- High pull out performance through discoid secondary expansion
- Rattle resistance because of the positively retained stem
- High durability of the rivet tools because of the grooved mandrel
- Reliable, repeatable rivet function

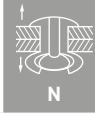


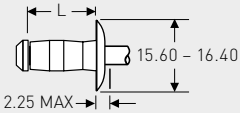
Material

Body: Aluminum

Mandrel: Steel

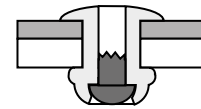


3-D Data: <http://kvt.partcommunity.com>

| Rivet-Ø | Length nominal | Grip range | Order description | Hole size Ø | |  |  |  |
|---------|----------------|------------|---------------------------------|----------------|--|---|---|---|
| 4.8 | 10.8 | 1.5 – 6.0 | VG 12-04810-511 | 4.9 – 5.0 |  | 1900 | 1200 | 3.12 |
| | 16.5 | 6.0 – 10.0 | VG 12-04816-511 | | | | | |

Vgrip™-rivets

Domed head






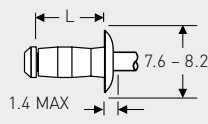
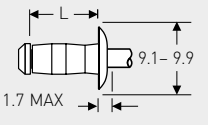
- Large grip range – a single rivet for many connections
- Strong clamping forces
- High pull out performance through discoid secondary expansion
- Rattle resistance because of the positively retained stem
- High durability of the rivet tools because of the grooved mandrel
- Reliable, repeatable rivet function

Material

Body: Steel galvanized

Mandrel: Steel galvanized

3-D Data: <http://kvt.partcommunity.com>

| Rivet-Ø | Length nominal | Grip range | Order description | Hole size Ø | |  |  |  |
|---------|----------------|------------|-------------------|-------------|--|---|---|---|
| 4.0 | 10,8 | 2,0 - 5,0 | PVG 21-4010-511 | 4,1 - 4,3 |  | 2500 | 1600 | 2,4 |
| | 11,8 | 3,0 - 6,0 | PVG 21-4011-511 | | | | | |
| | 13,8 | 5,0 - 8,0 | PVG 21-4013-511 | | | | | |
| | 15,8 | 7,0 - 10,0 | PVG 21-4015-511 | | | | | |
| 4.8 | 10,6 | 1,5 - 6,0 | VG 21-04810-511 | 4,9 - 5,2 |  | 3400 | 2500 | 3,12 |
| | 15,8 | 6,0 - 10,0 | VG21-04815-511 | | | | | |

Vgrip™-rivets

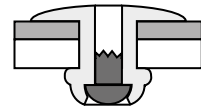
Large flange

- Large grip range – a single rivet for many connections
- Strong clamping forces
- High pull out performance through discoid secondary expansion
- Rattle resistance because of the positively retained stem
- High durability of the rivet tools because of the grooved mandrel
- Reliable, repeatable rivet function

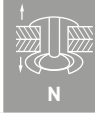


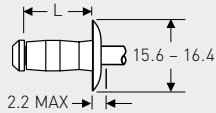
Material

Body: Steel galvanized

Mandrel: Steel galvanized



3-D Data: <http://kvt.partcommunity.com>

| Rivet-Ø | Length nominal | Grip range | Order description | Hole size Ø | |  |  |  |
|---------|----------------|------------|---------------------------------|----------------|--|---|---|---|
| 4.8 | 10.6 | 1.5 – 6.0 | VG 22-04810-511 | 4.9 – 5.2 |  | 3400 | 2500 | 3.12 |
| | 16.2 | 6.0 – 10.0 | VG 22-04816-511 | | | | | |

High-strength rivets

Domed head

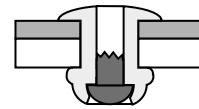
- High shear and tensile strength
- Large secondary expansion
- Positively retained stem

Material




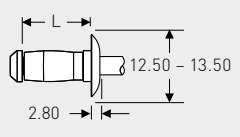
Body: Steel

Mandrel: Steel

Availability on request



3-D Data: <http://kvt.partcommunity.com>

| Rivet-Ø | Length nominal | Grip range | Order description | Hole size Ø | |  N |  N |  |
|---------|----------------|------------|-------------------|----------------|--|--|--|---|
| 6.4 | 11.4 | 2.4 - 4.8 | SD 848 HS | 6.6 |  | 9000 | 12000 | 4.00 |
| | 12.0 | 3.4 - 5.4 | SD 854 HS | | | | | |
| | 13.4 | 4.8 - 6.8 | SD 868 HS | | | | | |
| | 15.4 | 6.8 - 8.8 | SD 888 HS | | | | | |

High-strength rivets

Domed head

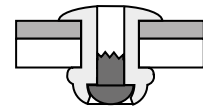
- High shear and tensile strength
- Large secondary expansion
- Positively retained stem

Material




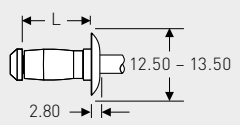
Body: Aluminum, 2.5% magnesium

Mandrel: Aluminum

Availability on request



3-D Data: <http://kvt.partcommunity.com>

| Rivet-Ø | Length nominal | Grip range | Order description | Hole size Ø | |  N |  N |  |
|---------|----------------|------------|-------------------|----------------|--|--|--|---|
| 6.4 | 12.0 | 3.4 – 5.4 | AD 854 AHS | 6.6 |  | 3500 | 4100 | 4.00 |

Tools

ProSet® XT1 | ProSet® XT2 | ProSet® XT3 | ProSet® XT4



See picture from left to right:
ProSet® XT1 | ProSet® XT2 | ProSet® XT3 | ProSet® XT4



For riveting in vertical plane inclusive
mandrel collector
MCS 5250

Special tool equipment

Extensions, corner heads etc.




*The description "MCS" means "mandrel collecting system for all tools"

Tools

Select nose pieces and jaws

| Tool | Rivet-Ø | Rivet-material | Rivet-type | Nosepiece | Jaw | |
|---|---------|----------------|------------------------|-----------|---|-------------------------------|
| ProSet® XT1 ProSet® XT2 ProSet® XT3 ProSet® XT4 MCS 5250 | 2.0 | Al/St | open | PRN 214 | PRG 402-8A (only for XT1 - series) 71210-15001 (only for XT2 - series) | |
| | 2.4 | Al/St | open | PRN 314 | | |
| | 3.0/3.2 | all | open | PRN 414 | | |
| | 3.0/3.2 | Al/Al | closed | PRN 434 | | |
| | | 3.0/3.2 | St/St, NiCu, SS, Al/St | closed | PRN 424 | PRG 540-46 for Al, St |
| | | 4.0 | all | open | PRN 514 | |
| | | 4.0 | Al/Al | closed | PRN 534 | PRG 540-46 SS for A2, NiCu |
| | | 4.0 | St/St, NiCu, SS, Al/St | closed | PRN 524 | |
| | | 4.8/5.0 | all | open | PRN 614 | |
| | | 4.8/5.0 | Al/Al | closed | PRN 634 | PRG 540-44 |
| | | 4.8/5.0 | St/St, NiCu, SS, Al/St | closed | PRN 624 | |
| | | 6.0/6.4 | all | open | PRN 811 | |
| | closed | | | PRN 822 | | |

Al: Aluminum, St: Steel, SS: Stainless steel, NiCu: Nickel-copper-alloy

| Working area of the pneumatic-tools (max. pressure 5.8 bar) | | | | | | | | |  | | Weight |
|---|-----|-------------|-----|---------------|-----|-----|-----|------|---|---------|--------|
| Rivet-Ø | | | | | | | | | Ø D | L | |
| 2.0 | 2.4 | 3.0 | 3.2 | 4.0 | 4.8 | 5.0 | 6.4 | | | | |
| ¹⁾ | | ProSet® XT1 | | ²⁾ | | | | 17.3 | 40.0 | 1.04 kg | |
| | | ProSet® XT2 | | | | | | 20.6 | 46.0 | 1.31 kg | |
| | | MCS 5250 | | | | | | 22.4 | 89.0 | 1.80 kg | |
| | | ProSet® XT3 | | | | | | 22.4 | 57.9 | 2.00 kg | |
| | | ProSet® XT4 | | | | | | 25.0 | 58.5 | 1.80 kg | |

¹⁾ equipment for rivet with Ø2.0 mm optional

²⁾ Ø 4.0 mm only for aluminum rivet

Tools

Rivet power tool ProSet® XT1

Lightweight and compact – but high performance

Ergonomical

- Lightweight polymer construction
- Comfortable two finger activation
- Variable air connector and air exhaust

Specific feature

- Optimal high force-to-weight ratio
- Quick disconnect front end assembly
- Quick disconnect jaw housing
- Quick disconnect mandrel collector

Economics

- Fast service without aids
- Power saving

Additional equipment

- For rivets with Ø 2.0 mm
- 12.7 cm front-end-kit for special reach
- Compatible with POP® rivet presenter

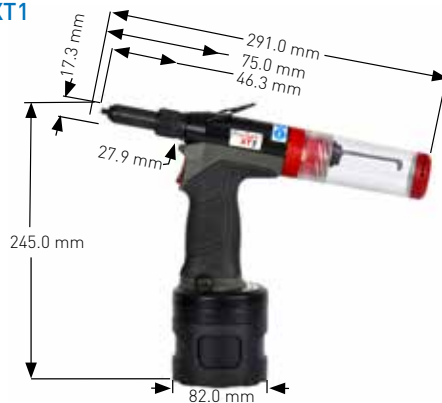
Safety

Automatically shut-off when the mandrel collector is removed



| Technical details | Proset® XT1 |
|--------------------|--------------------|
| Weight | 1.17 kg |
| Length | 281 mm |
| Height | 245 mm |
| Tool stroke | 18 mm |
| Air pressure | 5.0 – 7.0 bar |
| Pulling force | 6500 N bei 5.5 bar |
| Force/weight ratio | 5.55 kN/kg |

ProSet® XT1



| Rivet capacity | Material (Rivet-body-mandrel) | Rivet-Ø | | |
|-----------------------------------|----------------------------------|---------|---------|-----|
| | | 2.4 | 3.0-3.2 | 4.0 |
| Standard rivet & Multi-grip-rivet | Al – Al | • | • | • |
| | Al – St, Cu – St | • | • | • |
| | St – St/SS | • | • | • |
| | SS – SS, NiCu – St/SS | • | • | |
| Closed end rivet | Al – Al | • | • | • |
| | Al – St/Cu – St | • | • | • |
| | St – St/SS | • | • | |
| | SS – SS | • | • | |
| LSR-Rivet | Al – Al | • | • | • |
| HR-Rivet | St – St | • | • | |

Al: Aluminum, St: Steel, SS: Stainless steel,
Cu: Copper, NiCu: Nickel-copper-alloy

Tools

Rivet power tool ProSet® XT2

The new standard for pneumatic rivet tools

Ergonomical

- Lightweight polymer construction
- Comfortable two finger activation
- Variable air connector and air exhaust

Specific feature

- Optimal high force-to-weight ratio
- Quick disconnect front end assembly
- Quick disconnect jaw housing
- Quick disconnect mandrel collector

Economics

- Spring return for reliable, fast setting cycle
- Fast service without aids
- Power saving

Additional equipment

- 140 mm front-end-kit for special reach
- Compatible with POP® rivet presenter and POP SmartSet

Safety

Automatically shut-off when the mandrel collector is removed



| Technical details | Proset® XT2 |
|--------------------|---------------------|
| Weight | 1.26 kg |
| Length | 296 mm |
| Height | 274 mm |
| Tool stroke | 20 mm |
| Pulling force | 8 900 N bei 5.5 bar |
| Force/weight ratio | 7.06 kN/kg |

ProSet® XT2



| Rivet capacity | Material [Rivet-body-mandrel] | Rivet-Ø | | |
|--------------------------------------|----------------------------------|-----------|-----|-----------------|
| | | 3.0 – 3.2 | 4.0 | 4.8 |
| Standard rivet & Multi-grip-rivet | Al – Al | • | • | • |
| | Al – St/SS | • | • | • |
| | St – St | • | • | • |
| | SS – SS | • | • | • ¹⁾ |
| | NiCu – St/SS | • | • | • ¹⁾ |
| Closed end rivet | Al – Al | • | • | • |
| | Al – St/SS | • | • | • |
| | Cu – St | • | • | • |
| | St – St | • | • | • |
| LSR-Rivet | SS – SS | • | • | • |
| | Al – Al | • | • | • |
| | St – St | • | • | • |
| F-Grip & Vgrip™-Rivet | SS – SS | • | • | • |
| | Al – Al | • | • | • |
| | St – St | • | • | • |
| Peel-Rivet | Al – St | • | • | • |
| Avinox Avibulb Magna-Lok® | Al – Al | | | • ²⁾ |
| | St – St | | | • ²⁾ |
| | SS – SS | | | • ²⁾ |

Al: Aluminum, St: Steel, SS: Stainless steel,
Cu: Copper, NiCu: Nickel-copper-alloy

¹⁾ Excluded multi-grip-rivet ²⁾ Special equipment is necessary

Tools

Rivet power tool ProSet® XT3

The tool with long stroke

Ergonomical

- Lightweight polymer construction
- Comfortable two finger activation
- Variable air connector and air exhaust

Specific feature

- High force-to-weight ratio
- Quick disconnect front end assembly
- Quick disconnect jaw housing
- Quick disconnect mandrel collector

Economics

- Spring return for reliable, fast setting cycle
- Fast service without aids
- Power saving

Additional equipment

- Compatible with POP® rivet presenter
- POP® special heads
- 200 mm long front to end for special reach

Safety

Automatically shut-off when the mandrel collector is removed



| Technical details | Proset® XT3 |
|--------------------|----------------------|
| Weight | 2.14 kg |
| Length | 334 mm |
| Height | 343 mm |
| Tool stroke | 26 mm |
| Pulling force | 17 000 N bei 5.5 bar |
| Force/weight ratio | 7.94 kN/kg |

ProSet® XT3



| Rivet capacity Niertyp | Material (Rivet-body-mandrel) | Rivet-Ø | | |
|--|----------------------------------|---------|-----|-----------------|
| | | 4.0 | 4.8 | 6.4 |
| Standard rivet & Multi-grip-rivet | Al - Al | • | • | • |
| | Al - St/SS | • | • | • |
| | St - St | • | • | • |
| | SS - SS | • | • | • ¹⁾ |
| | NiCu - St/SS | • | • | • ¹⁾ |
| Closed end rivet | Al - Al | • | • | • |
| | Al - St/SS | • | • | • |
| | Cu - St | • | • | • |
| LSR-Rivet | St - St | • | • | • |
| | SS - SS | • | • | • |
| | Al - Al | • | • | • |
| HR-Rivet | St - St | • | • | • |
| | SS - SS | • | • | • |
| | Al - Al | • | • | • |
| F-Grip & Vgrip™-Rivet | St - St | • | • | • |
| | SS - SS | • | • | • |
| | Al - Al | • | • | • |
| Peel-Rivet | Al - St | • | • | • |
| | Al - Al | • | • | • ²⁾ |
| | St - St | • | • | • ²⁾ |
| Monobolt Interlock Magna-Lok® & HS-Rivet | SS - SS | • | • | • ²⁾ |

Al: Aluminum, St: Steel, SS: Stainless steel, Cu: Copper, NiCu: Nickel-copper-alloy

¹⁾ Excluded multi-grip-rivet ²⁾ Special equipment is necessary

Tools

Rivet power tools ProSet® XT4

The tool with high stroke

Ergonomical

- Lightweight polymer construction
- Comfortable two finger activation
- Variable air connector and air exhaust

Specific feature

- High force-to-weight ratio
- Quick disconnect front end assembly
- Quick disconnect jaw housing
- Quick disconnect mandrel collector

Economics

- Spring return for reliable, fast setting cycle
- Fast service without aids
- Power saving

Additional equipment

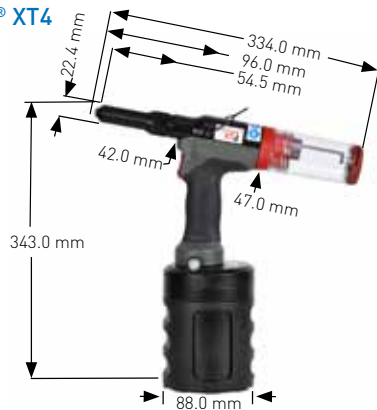
- Compatible with POP® rivet presenter
- POP® special heads
- 200 mm long front to end for special reach

Safety

Automatically shut-off when the mandrel collector is removed



ProSet® XT4



| Technical details | Proset® XT4 |
|--------------------|----------------------|
| Weight | 2.16 kg |
| Length | 334 mm |
| Height | 343 mm |
| Tool stroke | 18 mm |
| Pulling force | 23 000 N bei 5.5 bar |
| Force/weight ratio | 10.65 kN/kg |

| Rivet capacity | Material [Rivet-body-mandrel] | Rivet-Ø | | |
|--|----------------------------------|---------|-----------------|-----------------|
| | | 4.0 | 4.8 | 6.4 |
| Niettyp | | | | |
| Stand- ard rivet & Multi-grip-rivet | Al – Al | • | • | • |
| | Al – St/SS | • | • | • |
| | St – St | • | • | • |
| | SS – SS | • | • ¹⁾ | • ¹⁾ |
| | NiCu – St/SS | • | • ¹⁾ | • ¹⁾ |
| Closed end rivet | Al – Al | • | • | • |
| | Al – St/SS | • | • | • |
| | Cu – St | • | • | • |
| | St – St | • | • | • |
| LSR-Rivet | SS – SS | • | • | • |
| | Al – Al | • | • | |
| | St – St | • | • | |
| F-Grip & Vgrip™-Rivet | Al – Al | • | • | • |
| | St – St | • | • | • |
| | SS – SS | • | • | |
| Peel-Rivet | Al – St | • | • | • |
| Hemlock Avinox XT Magna-Lok® | Al – Al | | • ²⁾ | • ²⁾ |
| | St – St | | • ²⁾ | • ²⁾ |
| | SS – SS | | • ²⁾ | • ²⁾ |

Al: Aluminium, St: Stahl, SS: Nichtrostender Stahl,
Cu: Kupfer, NiCu: Nickel-Kupfer-Legierung

¹⁾ Excluded multi-grip-rivet ²⁾ Special equipment is necessary

Tools

For Proset®

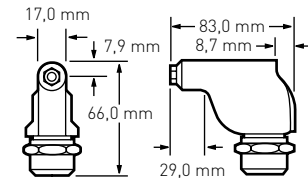
Front End kits

For applications where access is restricted a series with special front ends are available!

PRH830 corner head

Compact 90° corner head

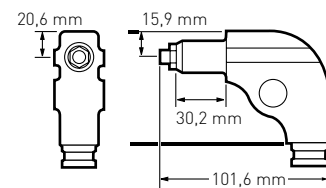
- For applications where access is restricted
- Is setting rivets to Ø 3.2 mm in all materials
- Weight 0.31 kg



PRH840 corner head

Robust 90° corner head

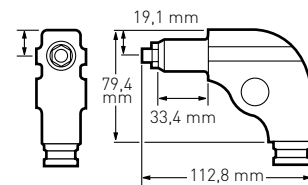
- Is setting rivets to Ø 4.8 mm in all materials
- Weight 0.50 kg



PRH850 heavy corner head

90° corner head

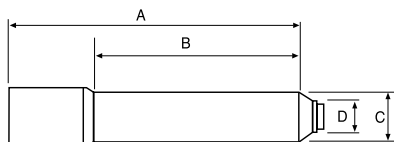
- Applicable for high volumes
- Is setting rivets to Ø 6.4 mm in aluminum
- Weight 0.76 kg



Adapter to the setting tools on request!

Front-End-KITS

Different extended and reduced sets are available.



| Setting tool | Order description | Type | A | B | C | D |
|--------------|-----------------------------|----------|-----|-----|------|----|
| ProSet® 1600 | FAN 239-174 | extended | 140 | 96 | 17.4 | 11 |
| ProSet® 2500 | FAN 275-132 | extended | 140 | 100 | 20.5 | 11 |
| | FAN 275-198 | reduced | 140 | 100 | 17.4 | 11 |
| ProSet® 3400 | FAN 276-075 | extended | 200 | 155 | 22.4 | 11 |

Tools

TT55



PS 45

Total length: 490 mm



PRG 540



PS 25

Total length: min. 305 mm



PS 15

Transmission ratio 30:1



| Working area for the hand-tools | | | | | | | | | | | Weight | |
|---------------------------------|-----|-------|-----|-----|-----|-----|-----|--|------|------|--------|--------|
| Rivet-Ø | | | | | | | | | Ø D | L | | |
| 2.0 | 2.4 | 3.0 | 3.2 | 4.0 | 4.8 | 5.0 | 6.4 | | | | | |
| | | PS 15 | | | | | | | 20.0 | 26.0 | 0.6 kg | |
| | | TT 55 | | | | | | | 23.8 | 27.0 | 0.4 kg | |
| | | PS 45 | | | | | | | 30.0 | 71.4 | 2.6 kg | |
| | | PS 25 | | | | | | | | 27.0 | 114.3 | 2.3 kg |

| Working area of the pneumatic-tool (max. pressure 5.8 bar) | | | | | | | | | | | Weight | |
|--|-----|---------|-----|-----|-----|-----|-----|--|-----|-----------|--------|--------|
| Rivet-Ø | | | | | | | | | Ø D | L | | |
| 2.0 | 2.4 | 3.0 | 3.2 | 4.0 | 4.8 | 5.0 | 6.4 | | | | | |
| | | PRG 540 | | | | | | | | 22.5/32.0 | 85.0 | 2.2 kg |

Tools

RIVET-TOOL PB 2500

Battery-power – wherever you are!

An Li-Ion battery, charger and a steel carry case are included in delivery. The tool-case provides space for a second optional battery.

Technical details

- With one full battery you can set 600 – 2400 rivets
- For all rivets from 2.4 bis 4.8 mm
- One hour loading time
- Weight: 1.69 kg incl. battery
- Tool stroke 25 mm
- Dimension: 320 x 240 mm (length x height)
- Traction power: 8500 N

More information on request.



Tools

RIVET-TOOL PB 3400

Battery-tool for high-strength rivets

An Li-Ion battery, charger and a steel carry case are included in delivery. The tool-case provides space for a second optional battery.

Technical details

- With one full battery you can set 1 000 rivets
- For all rivets from Ø4.8* – 6.4 mm
- Loading time: 30 minutes (2,0 Ah)
Loading time: 60 minutes (4,0 Ah)
- Weight: 2.10 kg incl. 2.0 Ah battery
2.42 kg incl. 4.0 Ah battery
- Tool stroke 30 mm
- Dimension: 336 mm x 255 mm (2.0 Ah)
336 mm x 275 mm (4.0 Ah)
- Traction power: 18 000 N

More information on request.



* for rivets with diameter 4.8mm is a special equipment necessary

Tools

Rivet presenter RP

Single handed rivet feeding system

Used with a POP® rivet tool the presenter RP offers single-handed, high-speed rivet feeding and setting.

Every time the front end of the rivet tool is inserted into the receptacle at the front of the rivet presenter a rivet is automatically loaded into the front of the tool.

The rivets are stored in rotary feeder bowl and continuously fed down a track into the receptacle ready for the next cycle.



Features & benefits

- Feeder bowl capacity up to 1.000 rivets
- Feeder bowl refilled in a few seconds
- Significant reductions in riveting cycle times possible
- Single-handed operation leaves one hand free for other operations
- No directly contact to the rivets (white goods)
- Possible for POP rivets with \varnothing 3.2–4.8 mm
- Dimensions: 336 x 546 x 222 mm (height x length x width)
- Weight: 10.4 kg
- Air pressure: 5.8 bar

More information on request.

| Rivet- \varnothing | Order description | Rivet capacity of the bowl |
|----------------------|-----------------------|----------------------------|
| 3.2 | RP4-E | 1000 Rivets |
| 4.0 | RP5-E | 600 Rivets |
| 4.8 | RP6-E | 400 Rivets |

Tools

Multi-Head

Multiple rivet setting system

Modular components are used in this multiple rivet setting system to make an complete workstation for individual customer needs.

A single pneumatic-hydraulic intensifier provides hydraulic power to multiple rivet-setting heads. The number of setting heads is fixed by you (maybe some more pneumatic-hydraulic intensifier are necessary).

The multiple rivet setting heads are mounted onto a plate or rail and can be configured in different positions to suit the location of rivets in a given application.

Features & benefits

- Simultaneous rivet setting saves expensive working time
- Foot operated trigger fress up both hands for component assembly
- High reliability minimises downtime
- Individual for your application
- Integral bulk mandrel collection eliminates hazard of dropped mandrels

More information on request.



Tools

Point & Set

The ultimate in portable auto-feed riveting

Automation components customized to the application!

Focus on the basics, with the Point & Set system it's easy for the worker. After the first setting the machine checks and manages everything else.

This ensures that the focus is on correct right setting of the rivets in the application. The Point & Set can also be integrated in an automatic system.

Technical details

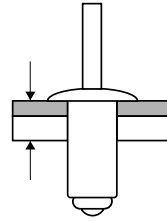
| | |
|-------------------|--------------------------------|
| Rivet-Ø: | 3.2 mm – 4.8 mm |
| Feeder capacity: | up to 2500 rivets |
| Mandrel capacity: | up to 8000 mandrels |
| Setting cyklus: | up to 35 rivets per minute |
| Umbilical: | 2.4 m (3.6 m on request) |
| Electricity data: | 220 V, 50 Hz |
| Air pressure: | 5.8 bar |
| Air consumption: | 340 l/min |
| Dimension: | 728 x 432 x 767 mm (L x B x H) |
| Weight: | Console 61.2 kg, Tool 1.5 kg |

More information on request.

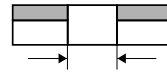


Technical informations

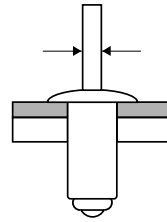
The suggested grip range, an optimal connection by the rivet is guaranteed. While setting you have to check that the components are seamless fitting on each other.



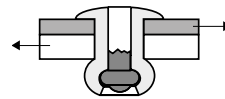
The information in the catalogue refer to the minimal hole- or stamp-diameter. The hole is tolerated with 0.1mm if you overrun the tolerance the strengths are decreasing.



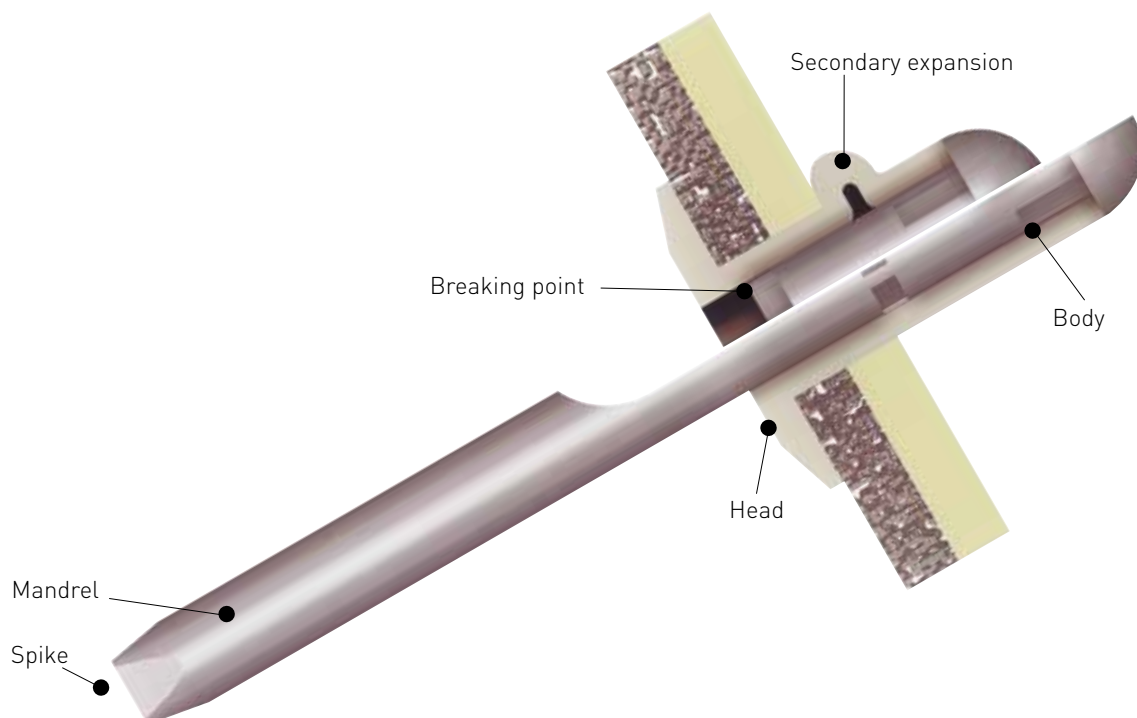
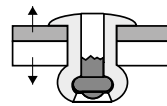
The diameter of the mandrel is the reference to choose the right nose piece for the corresponding rivet tool. Only working with the right tools guarantees a safety connection.



The information in the catalogue show the maximal acceptable data for shear performance of the rivet-connection. The data's are fixed in DIN 7337.



Maximal tensile performance of the connection while pushing the roll-axis.



Technical informations

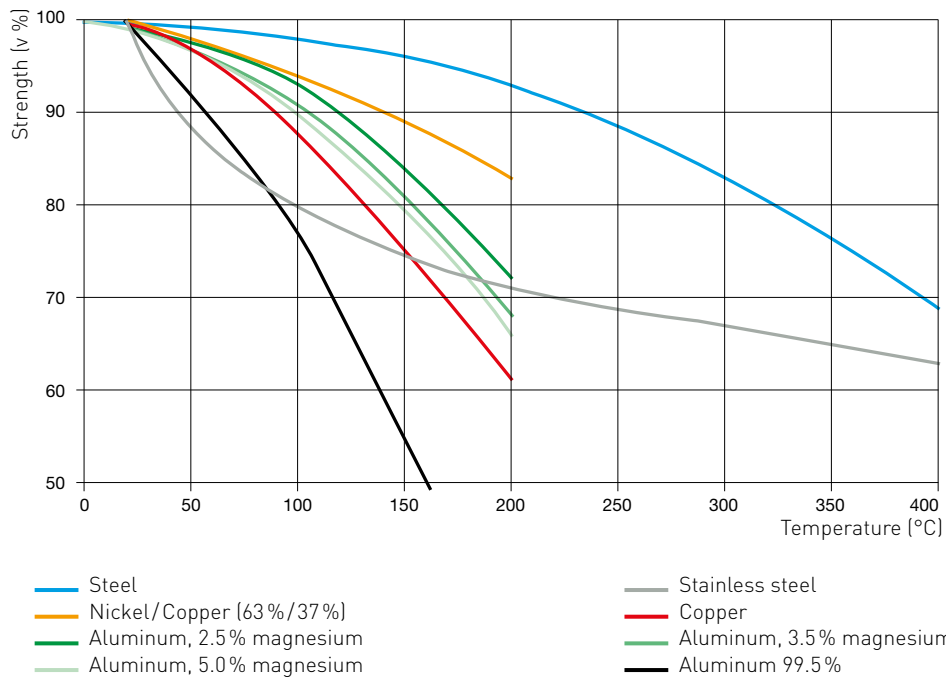
Corrosion when in contact with various component materials

| | | Component material | | | | |
|----------|-------------------------|---------------------|-----------------|--------|-------------------------|----------------|
| | | Nickel-copper-alloy | Stainless steel | Copper | Steel/ steel galvanized | Aluminum-alloy |
| Material | Nickel-copper-alloy | ☐ | ☐ | ☐ | ◻ | ■ |
| | Stainless steel | ☐ | ☐ | ◻ | ☐ | ◻ |
| | Copper | ☐ | ◻ | ☐ | ■ | ■ |
| | Steel/ steel galvanized | ◻ | ☐ | ■ | ☐ | ◻ |
| | Aluminum-alloy | ■ | ◻ | ■ | ◻ | ☐ |

- ☐ not really corrosion
- ◻ small corrosion
- maybe extra rist of corrosion
- extra rist of corrosion

The corrosion depends on the environmental influence and the temperature.

Influence of the temperature to the tensile of the connection



The influence of the temperature is not unimportant. Just at 200 °C the strength-data of aluminum- and copper-alloy decreases of about 30%.

KVT-Fastening – Fastening technology



Blind rivet nuts



Blind rivet technology



Thread inserts



Self-clinching fasteners



Stud welding systems¹⁾



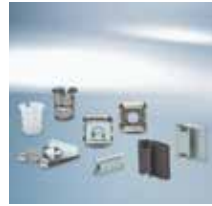
Lock nuts



Bonding fasteners



Access solutions



Quick fastening elements and clips



Quick release pins and spring plungers



Adhesives and sealants¹⁾



Construction fasteners²⁾



Special processes²⁾



Plugs



Pressure intensifiers³⁾



Installation technology



Quick connectors⁴⁾

Fastening, sealing and flow control solutions for complex applications

The extensive KVT-Fastening portfolio offers optimal solutions for your most challenging applications. The products included in this catalog represent only a selection from our entire product portfolio. Upon request, we will be pleased to provide additional information or an individual consultation to you.

Intelligent logistic systems

Bossard SmartBin and SmartLabel are intelligent logistics systems which monitor stock with total reliability and ensure stock replenishment automatically. An online system transmits the data to our server, and this – if necessary – triggers an order. These systems ensure quick and easy availability of C-parts while production is running.



Logistic systems

Competent analysis for efficient solutions

KVT-Fastening's highly qualified experts analyze the given task at hand. Based on this sound understanding of the project, they then develop ideal solutions that are economical, efficient, and safe.



Solutioneering

For more information about our range of products and order at our E-shop, please visit www.kvt-fastening.com

¹⁾ Not available in Germany. ²⁾ Only available in Switzerland. ³⁾ Not available in Switzerland. ⁴⁾ Not available in Austria.

KVT-Fastening AG

Dietikon/Zürich | Switzerland
Tel: +41 44 743 33 33
info-CH@kvt-fastening.com
www.kvt-fastening.ch

KVT-Fastening GmbH

Illerrieden | Germany
Tel: +49 7306 782-0
info-DE@kvt-fastening.com
www.kvt-fastening.de

KVT-Fastening GmbH

Linz/Pichling | Österreich
Tel: +43 732 25 77 00
info-AT@kvt-fastening.com
www.kvt-fastening.at

KVT-Fastening Sp. z o.o.

Radom | Poland
Tel: +48 58 762 17 80
info-PL@kvt-fastening.com
www.kvt-fastening.pl

KVT-Fastening S.R.L.

București | Romania
Tel: +40 37 1381155
info-RO@kvt-fastening.com
www.kvt-fastening.ro

KVT-Fastening spol. s.r.o.

Bratislava | Slovakia
Tel: +421 9 11102510
info-SK@kvt-fastening.com
www.kvt-fastening.sk

KVT-Tehnika pritrjevanja d.o.o.

Ljubljana | Slovenia
Tel: +386 1 2808019
info-SI@kvt-fastening.com
www.kvt-fastening.si

KVT-Fastening s.r.o.

Brno | Czech Republic
Tel: +420 547 125200201
info-CZ@kvt-fastening.com
www.kvt-fastening.cz

KVT-Fastening Kft.

Budapest | Hungary
Tel: +36 1 769 0925
info-HU@kvt-fastening.com
www.kvt-fastening.hu



www.kvt-fastening.com

